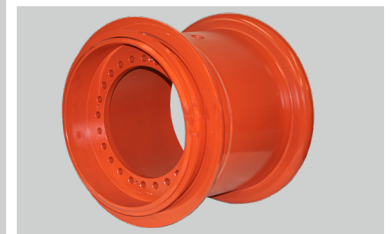
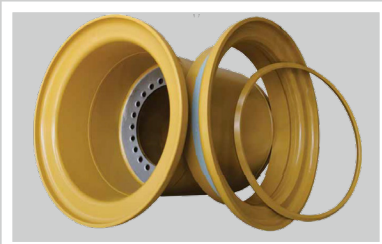


# MINING

# 2021



**OTR WHEEL ENGINEERING, INC. (OTR)** is your global partner for high-quality, engineered, off-the-road tires, wheels, assemblies and accessories. Thank you for choosing OTR as a resource to help find the right solution for your vehicle or machine. We are proud to supply well-known original equipment manufacturers and aftermarket customers in the Mining market, garnering a reputation as a solutions provider, using customer feedback to develop innovative products and services that solve problems and add value.

## **COMPANY OVERVIEW**

OTR is a multinational enterprise with over 1,000 employees dedicated to supporting customers around the world. Core markets include Mining, Construction, Powersports, Lawn & Garden, Industrial, Forestry, Material Handling, Agricultural and Specialty Vehicles.

OTR's global infrastructure comprises 38 manufacturing facilities and warehouses located in the U.S., Canada, Europe, and Asia. Our business model is based not only on developing, manufacturing and supplying market-driven products, but also services such as warehousing, tire mounting, sequencing, tire liner, foam-fill and modular assembly in facilities located near customers. We also support a network of distribution partners servicing local markets with one-stop-shopping for OTR products.

## **MINING**

OTR's product line-up for vehicles used in surface and underground mining is the result of many years of experience, innovations and a hands-on approach that ensures our products get the job done. Whether you are focused on vehicle productivity, utilization, safety or value, OTR's team will help you find the right solution.





# TABLE OF CONTENTS

# MINING

## INFORMATION

QUICK REFERENCE GUIDE.....	4
FEATURES & NOTES.....	5
SAFETY.....	6
TIRE TO RIM CONVERSION TABLE.....	7

## 3-PIECE RIM ASSEMBLIES

25" 3-PIECE RIM ASSEMBLIES, TYPE T, TD.....	8
25" 3-PIECE RIM ASSEMBLIES, HEAVY DUTY TYPE.....	9

## 5-PIECE RIM ASSEMBLIES

25" 5-PIECE RIM ASSEMBLIES, TYPE STG, STN.....	10
25" 5-PIECE RIM ASSEMBLIES, TYPE HTG, HTN, HTM.....	11
29" 5-PIECE RIM ASSEMBLIES, TYPE HTHG, HTHM.....	12
33"-45" 5-PIECE RIM ASSEMBLIES, TYPE RTEL, RHTM.....	13
33"-49" 5-PIECE RIM ASSEMBLIES, TYPE RW.....	14
35"-49" 5-PIECE RIM ASSEMBLIES, TYPE MRW.....	15
51"-57" 5-PIECE RIM ASSEMBLIES, STANDARD DESIGN.....	16
51"-57" 5-PIECE RIM ASSEMBLIES, HEAVY DUTY DESIGN.....	17
63" 5-PIECE RIM ASSEMBLIES STANDARD DESIGN.....	18
63" 5-PIECE RIM ASSEMBLIES HEAVY DUTY DESIGN.....	19
63" 5-PIECE RIM ASSEMBLIES, HEAVY DUTY TAPERED DESIGN.....	20
TLS HD 5-PIECE.....	21
STANDARD 5-PIECE.....	22

## 6-PIECE RIM ASSEMBLIES

TLS HD 6-PIECE.....	23
---------------------	----

## 7-PIECE RIM ASSEMBLIES

TLS HD 7-PIECE.....	24
STANDARD 7-PIECE.....	25

## COMPONENTS FOR RIM/WHEEL ASSEMBLIES

25" & 29" FLANGES FOR 5PC RIMS/WHEELS.....	27
25" SIDE RINGS FOR 3PC RIMS/WHEELS.....	27
25" LOCK RINGS FOR 3 PC RIMS/WHEELS.....	28
25" & 29" LOCK RINGS FOR 5 PC RIMS/WHEELS.....	28
25" & 29" LOCK RINGS FOR 5PC RIMS/WHEELS.....	29
25" & 29" BEAD SEAT BANDS FOR 5PC RIMS/WHEELS.....	30
33"-49" FLANGES FOR 5 PC RIMS/WHEELS.....	31
33"-49" LOCK RINGS FOR 5 PC RIMS/WHEELS.....	32
33"-49" BEAD SEATS FOR 5 PC RIMS/WHEELS.....	33
51" & 57" FLANGES FOR 5 PC RIMS/WHEELS.....	34
51" & 57" LOCK RINGS FOR 5 PC RIMS/WHEELS.....	35
51" & 57" BEAD SEAT W/ SURLOC FOR STANDARD 5 PC RIMS/WHEELS.....	35
51" & 57" BEAD SEAT FOR HEAVY DUTY 5 PC RIMS/WHEELS.....	36
57" BEAD SEAT W/ SURLOC FOR HEAVY DUTY 5 PC RIMS/WHEELS.....	36
63" FLANGES FOR STANDARD 5 PC RIMS/WHEELS.....	37
63" FLANGES FOR HEAVY DUTY 5 PC RIMS/WHEELS.....	37
63" FLANGES FOR HEAVY DUTY TAPERED 5 PC RIMS/WHEELS.....	38
63" LOCK RINGS FOR STANDARD 5 PC RIMS/WHEELS.....	38
63" LOCK RINGS FOR HEAVY DUTY 5 PC RIMS/WHEELS.....	39
63" (35°) LOCK RINGS FOR HEAVY DUTY TAPERED 5 PC RIMS/WHEELS.....	39
63" BEAD SEAT BANDS FOR STANDARD 5 PC RIMS/WHEELS.....	40
63" BEAD SEAT BANDS FOR HEAVY DUTY 5 PC RIMS/WHEELS.....	40
63" BEAD SEAT BANDS FOR HEAVY DUTY TAPERED 5 PC RIMS/WHEELS.....	41
DRIVER KEYS.....	42

## REFERENCES

STAMPED PART NUMBER LOCATION.....	43
RIM TERMINOLGY.....	44
EXAMPLES OF WHEEL OFFSETS INSET & ZEROSSET.....	45
EXAMPLES OF WHEEL OFFSETS OUTSET, WHEEL DISC STYLE & WHEEL DISC TYPES.....	46

## UNDERGROUND MINING

UNDERGROUND MINING.....	47
-------------------------	----

## TIRE SHIELDS

TIRE SHIELDS.....	48
-------------------	----

## WHEEL INSPECTION

WHEEL INSPECTION.....	49
-----------------------	----

## INFORMATION

CONTACT INFORMATION.....	50
WARRANTY INFORMATION.....	50



# MINING

# QUICK REFERENCE GUIDE

OTR produces and supplies standard and custom wheels for surface mining applications, ranging in diameter from 25" to 63" in 3-, 5- and 7-piece configurations, as well as underground mining wheels from 15" to 24", in 3- and 4-piece configurations. Wheel options and types are referenced below:

CONFIGURATION	TYPE	RIM SIZES	LEGEND FOR WHEEL TYPE	PAGE
<b>SURFACE MINING APPLICATIONS</b>				
25" 3-Piece	T, TD	25X10.00/1.5, 25X12/00/1.3, 25X14.00, 1.5, 25X17.00/1.7	T: Standard rim assembly with valve hole, general-duty. TD: Standard demountable rim with vale hole, for hub interface.	8
25" 3-Piece	HD	25X19.50/2.5, 25 X 22.00/3.0, 25X25.00/3,5	HD: Heavy duty design (see notes).	9
25" 5-Piece	STG, STN	25X11.25/2.0, 25X13.00/2.5, 25X15.00/3.0	STG: Standard rim assembly; STN: Standard rim assembly, with notch.	10
25" 5-Piece	HTG, HTN, HTM	25X17/00/2.0, 25X19.50/2.5, 25X22.00/3.0, 25X25.00/3.5	HTG: Heavy duty rim assembly, no driver pocket; HTN: Heavy duty rim assembly, do driver pocket, with notch; HTM: Heavy duty rim assembly, with driver pocket system.	11
29" 5-Piece	HTHG, HTHM	29X17.00/3.5, 29X22.00/3.0, 29X24.00/3.0, 29X24.00/3,5, 29.00X25.00/3.5	HTHG: Heavy duty rim assembly, no driver pocket. HTHM: Heavy duty rim, with driver pocket.	12
33"-45" 5-Piece	RTEL, RHTHM	33.00X22.00/4.0, 33X22.00/4.0, 33X28.00/3.5, 33X28.00/4.0, 33X32.00/4.5, 35X27.00/3.5, 35X31.00/4.0, 39X28.00/4.0, 39X32.00/4.0, 39X32.00/4.5, 39X32.00/4.5, 45X36.00/4.5	RTEL: Standard "R" style rim, with driver pocket. RHTHM: Heavy duty "R" style rime, with driver pocket.	13
33"-49" 5-Piece	RW	33X13.00/2.5, 35X15.00/3.0, 35X17.00/3.5, 49X17/00/3.5, 49X19.50/4.0	RW: Standard "RW" style rim, with reinforced back, bead seat and lip for easy demounting.	14
35"-49" 5-Piece	MRW	35X15.00/3.0, 35.00X17.00/3.5, 49X17.00/3.5, 49X19.50/4.0, 49X19.50/4.0	MRW: Standard "MRW" style rim with machined gutter and "W" style lock ring.	15
51"-57" 5-Piece	STD	51X22.00/4.5, 51X24.00/5.0, 51X26.00/5.0, 51X32.00/4.5, 51X40.00/4.5, 57X27.00/6.0, 57X29.00/6.0	Standard duty rim assembly.	16
51"-57" 5-Piece	HD	51X22.00/4.5, 51X24.00/5.0, 51X26.00/5.0, 51X32.00/4.5, 51X40.00/4.5, 57X27.00/6.0, 57X29.00/6.0	Heavy duty rim assembly (see notes).	17
63" 5-Piece	STD	63X36.00/5.0	STD: Standard duty rim assembly.	18
63" 5-Piece	HD	63X36.00/5.0, 63X41.00/5.0, 63X44.00/5.0	HD: Heavy duty rim assembly.	19
63" 5-Piece	HDT	63X36.00/5.0, 63X41.00/5.0, 63X44.00/5.0	HDT: Heavy duty rim assembly, tapered.	20
51"-63" 5-, 6-, and 7-Piece	TLS HD, STD	51X22.00/4.5, 51X24.00/5.0, 51X26.00/5.0, 51X40.00/4.5, 57X27.00/6.0, 57X29.00/6.0, 57X32.00/5.0, 57X32.00/6.5, 57X34.00/5.0, 57X44.00/5.0, 57X47.00/6.0, 57X52.00/5.0, 57X60.00/6.0, 63X36.00/5.0, 63X41.00/5.0, 63X44.00/5.0	TLS HD: Tapered locking system for heavy-duty wheels, with a double-gutter (DG) design for 7-piece assemblies (for easy demounting and quick changeover), and 6-piece units also featuring an integrated lock ring. STD: Standard rim assembly.	21-25
<b>UNDERGROUND MINING APPLICATIONS</b>				
15"-24" 4-Piece	HD	15X11, 20X8.50, 20X11.00, 24X11.00	HD: Heavy duty rim assembly (see notes).	47



## FEATURES & NOTES

## MINING

### STANDARD OTR WHEELS

- Designs and sizes compliant with industry standards; compatible as replacements for all wheel brands used in market.
- Full penetration welds, with 100% phased array ultrasonic (PA) inspection to assure weld integrity and long-life.
- OTR wheels produced in ISO 9001 registered facilities.

### HEAVY-DUTY WHEELS

- Fully machined lock ring grooves for precise fitment and stress relief.
- Fully machined O-ring grooves for optimal sealing and air pressure retention.
- Heavy-duty back sections for extreme loads and duty cycles.
- Notched rim bases, outdoor driver pocket options available.
- Special alloy steel option for wheels used in high-pressure applications. Consult with your OTR salesperson for more information.
- Valve hole size/placement options for select rim bases.



MINING

### LARGER DIAMETER WHEELS (51"-63"):

- HSLA grade steel used for critical components
- Seamless forged gutters and fully machined sections.
- Integrated bead seat-Sur-Loc design-to prevent inflation when using incorrect mounting ring.

### 6- AND 7-PIECE QUICK-CHANGE WHEELS

- Designs enable demount and vertical mounting and without having to remove inside dual tire.
- Designs compatible with popular fitments and replacements of other brands used in market.

### UNDERGROUND MINING WHEELS

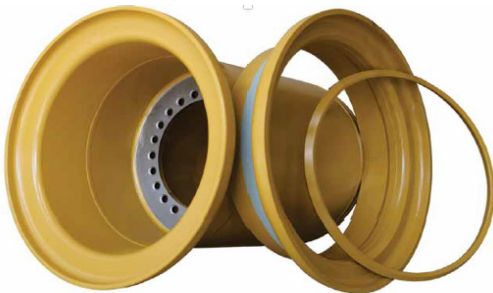
- Seamless forged sections for all critical components.
- Fully machined flanges, gutter and back sections ensure mating component parts have exact fitment needed, with evenly distributed stress for reduced wear.

### COMPLIANCE:

- Assemblies and components manufactured according to Tire & Rim Association (TRA) standards.
- USA-ASTM Standard: A36/A1011M; A529; A572
- DIN Standards: ST 37-2, ST42-2, ST52-3
- China Standards: Q235, Q275, Q345

### ADDITIONAL NOTES:

- NHS referenced in tire size: Not for Highway Service.
- Sur-Loc side rings available for 25"-29" diameter wheels.





## MINING

## SAFETY FIRST



### WARNING

The task of servicing tires and wheels is potentially dangerous and should be performed by trained personnel only, using the correct tools and procedures. Failure to heed this warning could lead to serious injury or death. We urge those involved in the servicing of tires and wheels to read the *U.S. Department of Labor and Occupation Safety and Health Administration (OSHA) document 29 CFR part 1910.177 entitled Servicing of Single Piece and Multi Piece Rim Wheels*. NOTE: Single piece rims have the rims made out of a single piece of material and multi piece rims have a loose flange or flange and lock ring.

Wear protective gloves, footwear, safety glasses and head gear when servicing tire and wheel components.

Further references explaining safety procedures can be found in literature published by the Rubber Manufacturer's Association, Washington D.C., the National Tire Dealers and Retreaders Association, Washington D.C., and the National Wheel and Rim Association, Jacksonville, FL.



# CONVERSION TABLE

## MINING

### TIRE TO RIM CONVERSION TABLE

The following table shows common tire and approved rim sizes for each tire according to the "Tire and Rim Association". Due to variances in load, speed, inflation pressure and type of service, you should always consult with your tire and wheel distributor and/or manufacturer. The use of incorrect flanges can lead to premature tire wear and failures.

TIRE SIZE	RIM SIZE
14.00-20	20-10.00
14.00-21, 16.00-21	21-10.00
10.00-24, 11.00-24, 12.00-24	24-8.00TG
13.00-24, 14.00-24	24-8.00TG
14.00-24	24-10.00TG
16.00-24	24-10.00VA
13.00-25, 14.00-25	25-10.00
15.50-25	25-12.00
16.00-25	25-11.25
17.50-25	25-14.00
18.00-25	25-13.00
20.50-25	25-17.00
21.00-25	25-15.00
23.50-25	25-19.50
26.50-25	25-22.00
29.50-25	25-25.00
24.00-29	29-17.00
26.50-29	29-22.00
30/65-29	29-24.00
29.50-29	29-25.00
33.25-29	29-27.00
18.00-33	33-13.00
27.00-33	33-22.00
33.50-33	33-28.00
35/65-33	33-28.00
37.50-33	33-32.00
21.00-35	35-15.00
24.00-35	35-17.00

TIRE SIZE	RIM SIZE
33.25-35	35-27.00
37.25-35	35-31.00
33.50-39	39-28.00
37.50-39, 40.5/75-39, 40/65-39	39-32.00
41.25/70-39	39-32.00
45/65-39	39-36.00
45/65-45	45-36.00
24.00-49	49-17.00
27.00-49	49-19.50
30.00-51	51-22.00
33.00-51	51-24.00
36.00-51	51-26.00
37.50-51	51-32.00
50/65-51	51-40.00
50.00-51	51-40.00
37.00-57	57-27.00
40.00-57, 46/90 R57	57-29.00
48/95-57, 44/80 R57, 50/90 R57	57-32.00
40/80 R57, 50/80 R57	57-34.00
49.5-57, 49.5/85-57, 50/80-57, 44/95 R57, 52/80-57	57-36.00
53.5/85-57, 55/80-57, 55.5/80-57	57-44.00
58/85-57, 53.5-57	57-47.00
65/65-57	57-52.00
70/70-57	57-60.00
53/80 R63	63-36.00
55/80 R63	63-41.00
58/80 R63, 59/80 R63	63-44.00

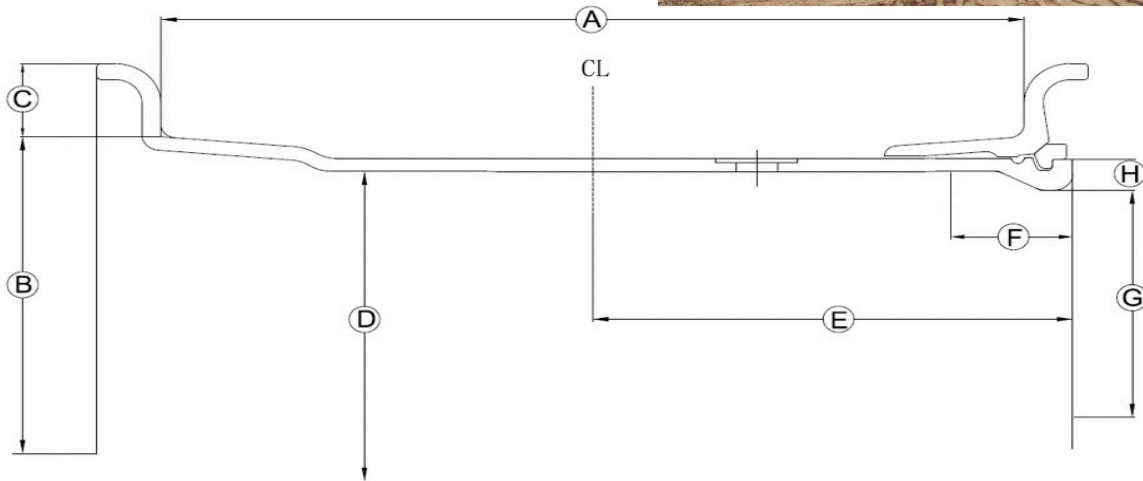
MINING



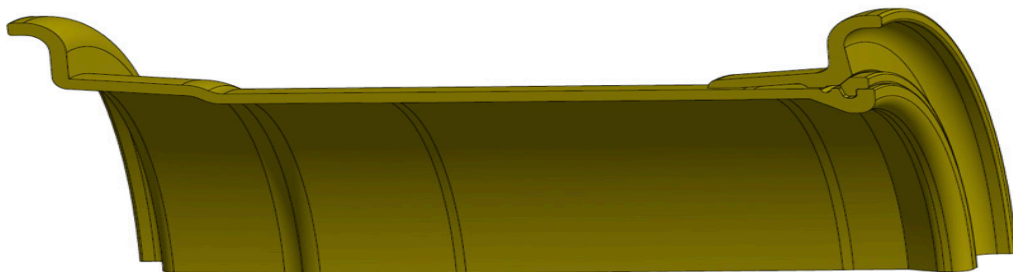
# MINING

## 3-PIECE RIM ASSEMBLIES

### 25" TYPE T, TD



RIM SIZE	DIMENSIONS							
DIA. - WIDTH / FLANGE HT.	A	B	C	D	E	F	G	H
25-10.00 / 1.5	10	25	1.5	23.392	6.031	2.031	22.5	0.719
25-12.00 / 1.3	12	25	1.3	23.392	6.89	1.898	22.5	0.719
25-14.00 / 1.5	14	25	1.5	23.392	8.031	2.031	22.5	0.719
25-17.00 / 1.7	17	25	1.7	23.392	9.531	2.031	22.5	0.719



RIM SIZE	PART NUMBERS					
DIA. - WIDTH / FLANGE HT.	TIRE SIZE(S)	RIM BASE	SIDE RING	LOCK RING	O-RING	ASSY WT.
25-10.00 / 1.5	14.00-25 NHS	B1025T B1025TD	F1025T F1025T	LR25T LR25T	OR25T OR25T	149.2
25-12.00 / 1.3	15.5-25	B12025T	F25TU1.3	LR25T	OR25T	135.8
25-14.00 / 1.5	17.5-25	B14025T	F1025T	LR25T	OR25T	175.9
25-17.00 / 1.7	20.5-25	B17025TGF	F25TG	LR25T	OR25T	188.2



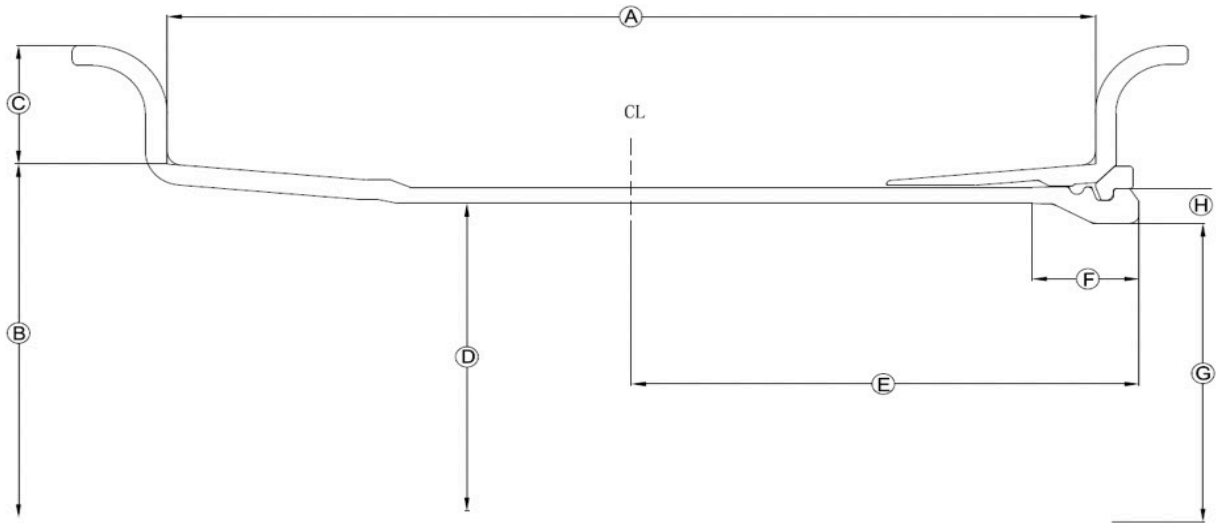


# 3-PIECE RIM ASSEMBLIES

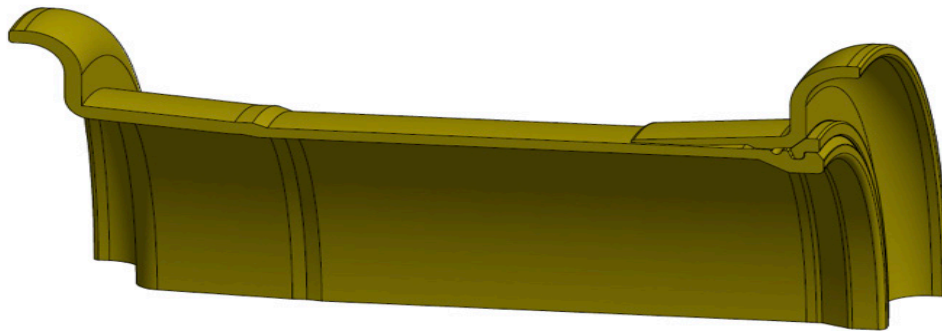
# MINING

# 25" HEAVY DUTY

MINING



RIM SIZE	DIMENSIONS							
DIA. - WIDTH / FLANGE HT.	A	B	C	D	E	F	G	H
25-19.5/2.5	19.5	25	2.5	23.38	11.69	2.03	21.5	1.06
25-22.00/3.0	22	25	3	23.38	12.94	2.03	21.5	1.06
25-25.00/3.5	25	25	3.5	23.38	14.31	2.03	21.5	1.06



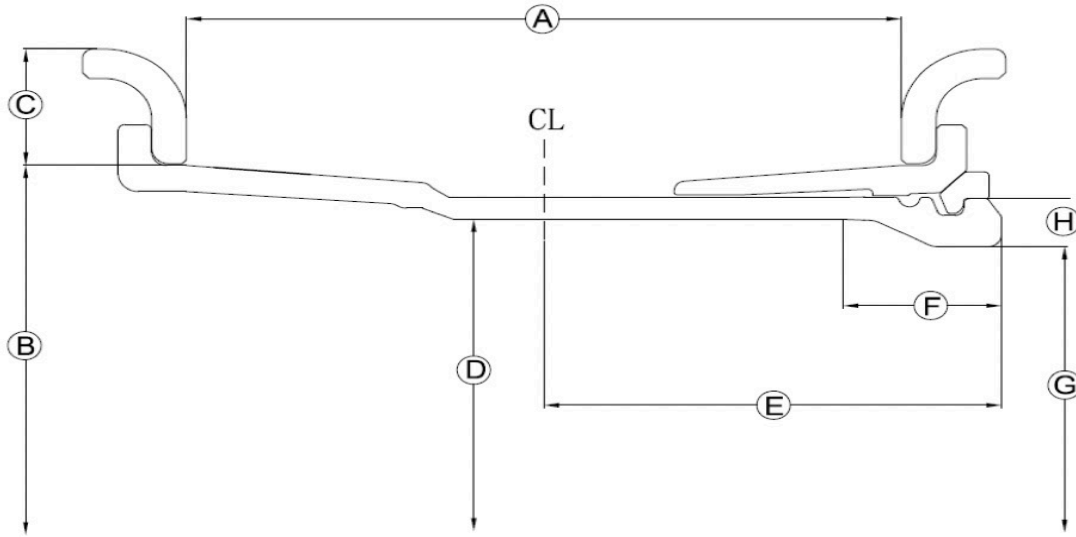
RIM SIZE	PART NUMBERS					
DIA. - WIDTH / FLANGE HT.	TIRE SIZE(S)	RIM BASE	FLANGE	LOCK RING	O-RING	ASSY WT.
25-19.5/2.5	23.50-25	ER5200A	ELFC0325/2.5	LR255TM	OR325T	384
25-22.00/3.0	26.50-25	ER5300A	ELFC0325/3.0	LR255TM	OR325T	473
25-25.00/3.5	29.50-25	ER5400A	ELFC0325/3.5	LR255TM	OR325T	537.5



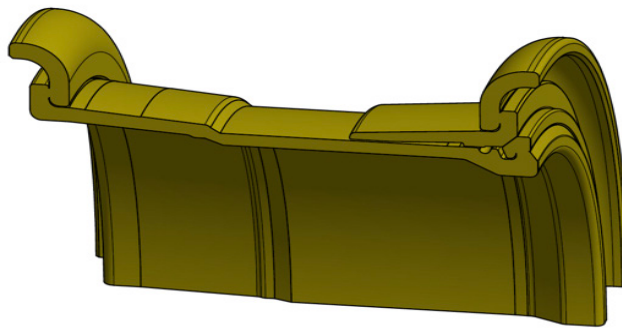
# MINING

# 5-PIECE RIM ASSEMBLIES

## 25" TYPE STG, STN



RIM SIZE	DIMENSIONS							
DIA. - WIDTH / FLANGE HT.	A	B	C	D	E	F	G	H
25-11.25 / 2.0	11.25	25	2	22.625	7.312	3.255	21.5	1.06
25-13.00 / 2.5	13	25	2.5	22.625	8.312	3.255	21.5	1.06
25-15.00 / 3.0	15	25	3	22.625	9.312	3.255	21.5	1.06



RIM SIZE	PART NUMBERS						
DIA. - WIDTH / FLANGE HT.	TIRE SIZE(S)	RIM BASE	BEADSEAT	SIDE FLANGE	LOCK RING	O-RING	ASSY WT.
25-11.25 / 2.0	16.00-25	B1125STG	BB25STG	S2025	LR255TM	OR325T	294.2
25-11.25 / 2.0	16.00-25	B1125STN	BB25STN	S2025	LR255TN	OR325T	294.6
25-13.00 / 2.5	18.00-25	B1325STG	BB25STG	S2525	LR255TM	OR325T	353.1
25-13.00 / 2.5	18.00-25	B1325STN	BB25STN	S2525	LR255TN	OR325T	353.9
25-15.00 / 3.0	21.00-25	B1525STG	BB25STG	S3025	LR255TM	OR325T	408.1
25-15.00 / 3.0	21.00-25	B1525STN	BB25STN	S3025	LR255TN	OR325T	408.5

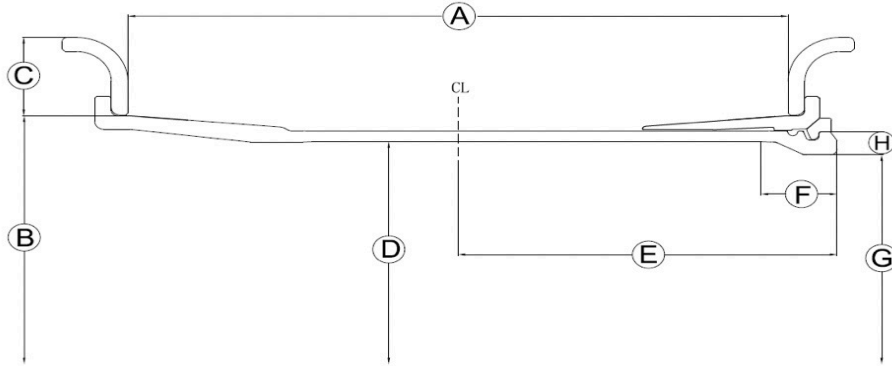
MINING



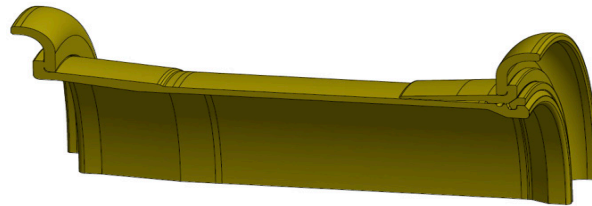
# 5-PIECE RIM ASSEMBLIES

# MINING

## 25" TYPE HTG, HTN, HTM



RIM SIZE	DIMENSIONS							
DIA. - WIDTH / FLANGE HT.	A	B	C	D	E	F	G	H
25-17.00 / 3.5	17	25	3.5	22.625	10.312	3.255	21.5	1.06
25-17.00 / 2.0	17	25	2	22.625	10.312	3.255	21.5	1.06
25-19.50 / 2.5	19.5	25	2.5	22.625	11.687	3.255	21.5	1.06
25-19.50 / 2.5	19.5	25	2.5	22.625	11.687	3.255	21.5	1.06
25-22.00 / 3.0	22	25	3	22.625	12.937	3.255	21.5	1.06
25-22.00 / 3.0	22	25	3	22.625	12.937	3.255	21.5	1.06
25-25.00 / 3.5	25	25	3.5	22.625	14.312	3.255	21.5	1.06



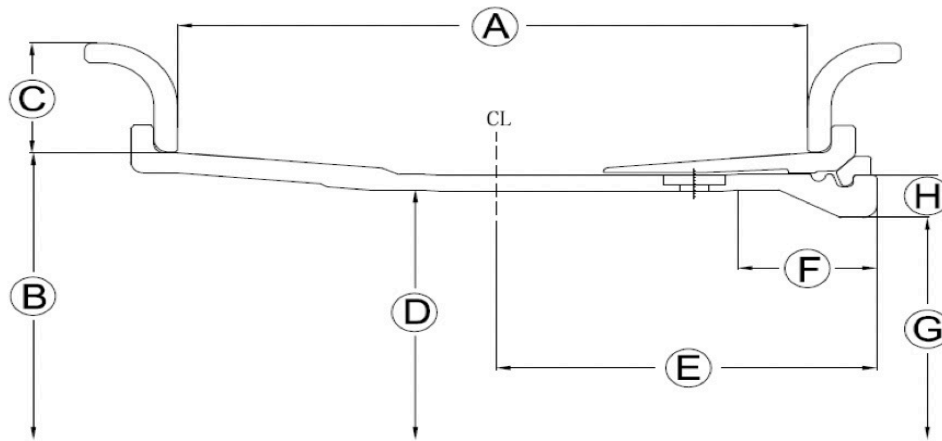
RIM SIZE	PART NUMBERS						
DIA. - WIDTH / FLANGE HT.	TIRE SIZE(S)	RIM BASE	BEADSEAT	SIDE FLANGE	LOCK RING	O-RING	ASSY WT.
25-17.00 / 3.5	24.00-25	B1725HTG	BB25HTG	S3525	LR255TM	OR325T	380
25-17.00 / 2.0	20.5-25	B1725HTN	BB25STN	S2025	LR255TN	OR325T	380
25-17.00 / 2.0	20.5-25	B1725HTM	BB25STM	S2025	LR255TM	OR325T	381.9
25-19.50 / 2.5	23.5-25	B1925HTG	BB25STG	S2525	LR255TM	OR325T	446.7
25-19.50 / 2.5	23.5-25	B1925HTN	BB25STN	S2525	LR255TN	OR325T	443.9
25-19.50 / 2.5	23.5-25	B1925HTM	BB25STM	S2525	LR255TM	OR325T	445.8
25-22.00 / 3.0	26.5-25	B2225HTG	BB25HTG	S3025	LR255TM	OR325T	499
25-22.00 / 3.0	26.5-25	B2225HTN	BB25HTN	S3025	LR255TN	OR325T	504.7
25-22.00 / 3.0	26.5-25	B2225HTM	BB25HTM	S3025	LR255TM	OR325T	515.9
25-25.00 / 3.5	29.5-25	B2525HTG	BB25HTG	S3525	LR255TM	OR325T	551.4
25-25.00 / 3.5	29.5-25	B2525HTN	BB25HTN	S3525	LR255TN	OR325T	553.7
25-25.00 / 3.5	29.5-25	B2525HTM	BB25HTM	S3525	LR255TM	OR325T	564.4



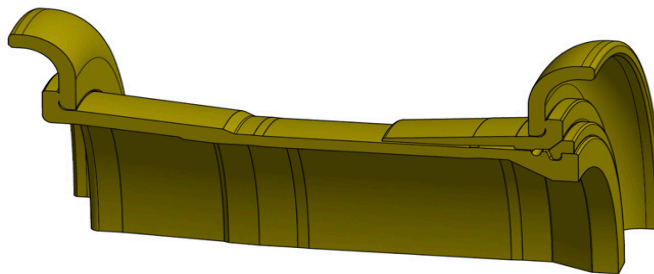
# MINING

# 5-PIECE RIM ASSEMBLIES

## 29" TYPE HTHG, HTHM



RIM SIZE	DIMENSIONS							
DIA. - WIDTH / FLANGE HT.	A	B	C	D	E	F	G	H
29-17.00 / 3.5	17	29	3.5	26.625	10.312	3.567	24.875	1.38
29-22.00 / 3.0	22	29	3	26.625	12.937	3.567	24.875	1.38
29-24.00 / 3.0	24	29	3	26.625	13.984	3.567	24.875	1.38
29-24.00 / 3.5	24	29	3.5	26.625	13.984	3.567	24.875	1.38
29-25.00 / 3.5	25	29	3.5	26.625	14.312	3.567	24.875	1.38



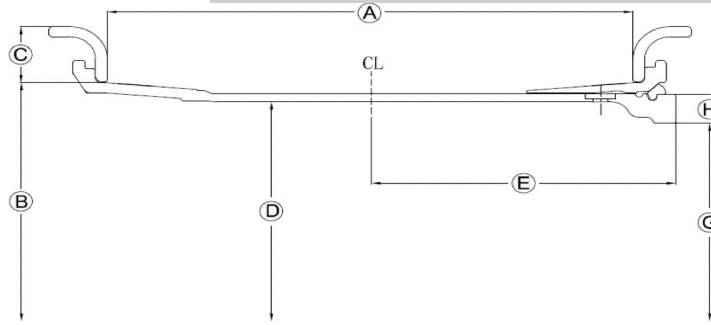
RIM SIZE	PART NUMBERS						
DIA. - WIDTH / FLANGE HT.	TIRE SIZE(S)	RIM BASE	BEADSEAT	SIDE FLANGE	LOCK RING	O-RING	ASSY WT.
29-17.00 / 3.5	24.00-29	B1729HTHM	BB29HTM	S3529	LR295TM	OR329T	561.7
29-22.00 / 3.0	26.5-29	B2229HTHM	BB29HTM	S3029	LR295TM	OR329T	600.2
29-24.00 / 3.0	30/65-29	B2429HTHM	BB29HTM	S3029	LR295TM	OR329T	636.1
29-24.00 / 3.5	26.5-29	B2429HTHM	BB29HTM	S3529	LR295TM	OR329T	650.3
29-25.00 / 3.5	29.5-29	B2529HTHM	BB29HTM	S3529	LR295TM	OR329T	660.6



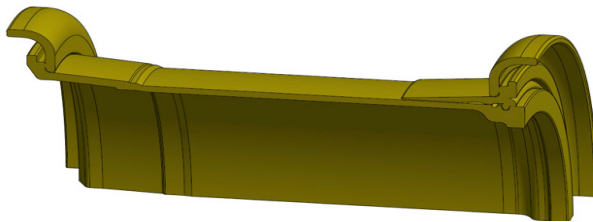
# 5-PIECE RIM ASSEMBLIES

# MINING

## 33"-45" TYPE RTEL, RHTHM



RIM SIZE DIA. - WIDTH / FLANGE HT.	DIMENSIONS							
	A	B	C	D	E	F	G	H
33-22.00 / 4.0	22	33	4.5	30.625	13.187	N/A	27.938	1.84
33-28.00 / 3.5	28	33	3.5	30.625	16.187	N/A	27.938	1.84
33-28.00 / 4.0	28	33	4	30.625	16.187	N/A	27.938	1.84
33-32.00 / 4.5	32	33	4.5	30.625	18.281	N/A	27.938	1.84
35-27.00 / 3.5	27	35	3.5	32.625	15.562	N/A	29.938	1.84
35-31.00 / 4.0	31	35	4	32.625	17.781	N/A	29.938	1.84
39-28.00 / 4.0	28	39	4	36.625	16.187	N/A	33.938	1.84
39-32.00 / 4.0	32	39	4	36.625	18.281	N/A	33.938	1.84
39-32.00 / 4.5	32	39	4.5	36.625	18.281	N/A	33.938	1.84
45-36.00 / 4.5	36	45	4.5	42.625	20.281	N/A	39.938	1.84



Note: 25" and 29" RW type rims are also available. Contact your OTR salesperson for more details.

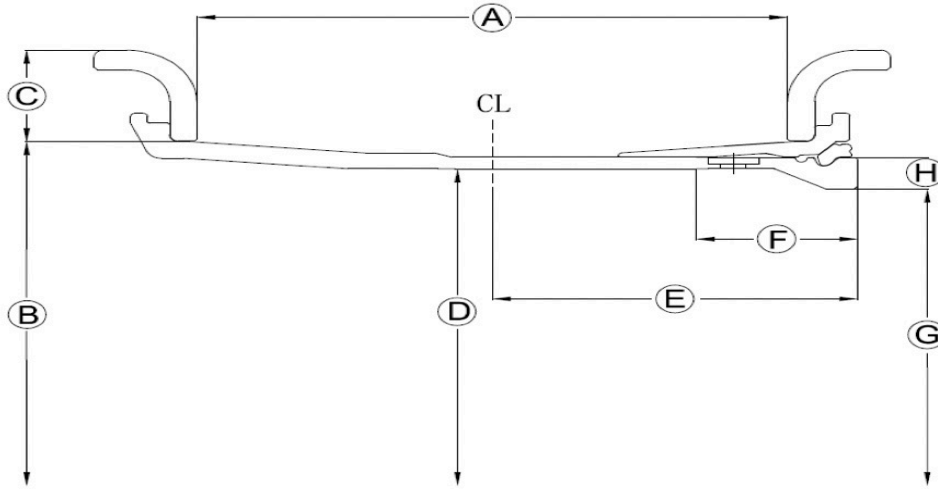
RIM SIZE DIA. - WIDTH / FLANGE HT.	PART NUMBERS						
	TIRE SIZE(S)	RIM BASE	BEADSEAT	SIDE FLANGE	LOCK RING	O-RING	ASSY WT.
33-22.00 / 4.0	27.00-33	B2233RTEL	BB33RTL	S4033	LR335TM	OR333T	860.2
33-28.00 / 3.5	35/65-33	B2833RHTHM	BB33RTL	S3533	LR335TM	OR333T	885.8
33-28.00 / 4.0	33.5-33	B2833 RHTHM	BB33RTL	S4033	LR335TM	OR333T	905.6
33-32.00 / 4.5	37.5-33	B3233RTEL	BB33RTL	S4533	LR335TM	OR333T	995.1
35-27.00 / 3.5	33.25-35	B2735RTEL	BB35RTL	S3535	LR355TM	OR335T	869.7
35-31.00 / 4.0	37.25-35	B3135RTEL	BB35RTL	S4035	LR355TM	OR335T	1018.1
39-28.00 / 4.0	33.5-39	B2839RTEL	BB39RTL	S4039	LR395TM	OR339T	1080.3
39-32.00 / 4.0	40/65-39	B3239RTEL	BB39RTL	S4039	LR395TM	OR339T	1163.4
39-32.00 / 4.5	41.25/70-39, 37.5-39	B3239RTEL	BB39RTL	S4539	LR395TM	OR339T	1184
45-36.00 / 4.5	45/65-45	B3645RTEL	BB45RT91	S4545	LR455TM	OR345T	1442.2



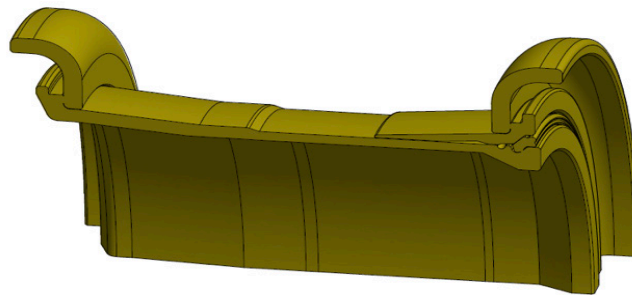
# MINING

## 5-PIECE RIM ASSEMBLIES

### 33"-49" TYPE RW



RIM SIZE	DIMENSIONS							
DIA. - WIDTH / FLANGE HT.	A	B	C	D	E	F	G	H
33-13.00 / 2.5	13	33	2.5	30.625	8.093	3.567	28.875	1.38
35-15.00 / 3.0	15	35	3	32.625	9.312	3.567	30.875	1.38
35-17.00 / 3.5	17	35	3.5	32.625	10.312	3.567	30.875	1.38
49-17.00 / 3.5	17	49	3.5	46.625	10.61	3.567	44.875	1.38
49-19.50 / 4.0	19.5	49	4	46.625	12	3.567	44.875	1.38



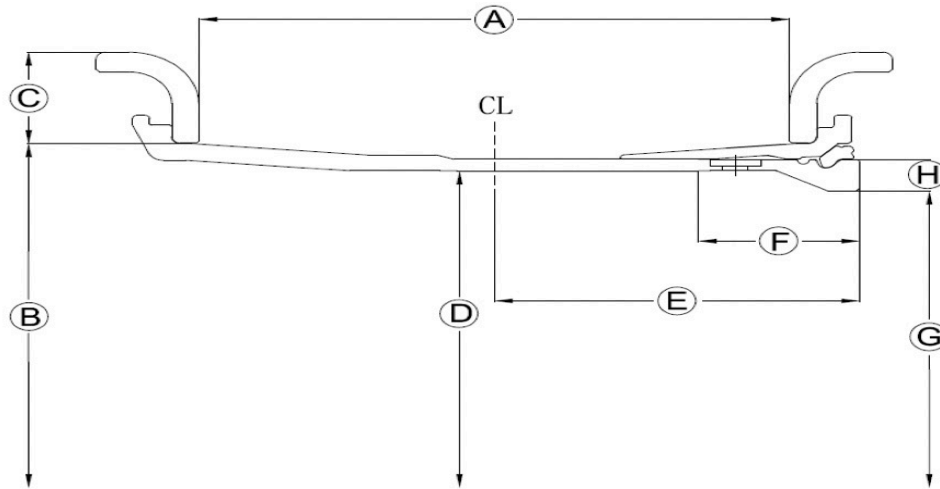
RIM SIZE	PART NUMBERS						
DIA. - WIDTH / FLANGE HT.	TIRE SIZE(S)	RIM BASE	BEADSEAT	SIDE FLANGE	LOCK RING	O-RING	ASSY WT.
33-13.00 / 2.5	18.00-33	B1333RWHGD	BB33RTGN	S2533	LR33W	OR333T	557.2
35-15.00 / 3.0	21.00-35	B1535RWHGD	BB35RTG	S3035	LR35W	OR335T	669.3
35-17.00 / 3.5	24.00-35	B1735RWHGD	BB35RTG	S3535	LR35W	OR335T	734.5
49-17.00 / 3.5	24.00-49	B1749RWHGD	BB49RTG	H3549A	LR49W	OR349T	1099.5
49-19.50 / 4.0	27.00-49	B1949RWHGD	BB49RTG	R4049EH	LR49W	OR349T	1196.2



# 5-PIECE RIM ASSEMBLIES

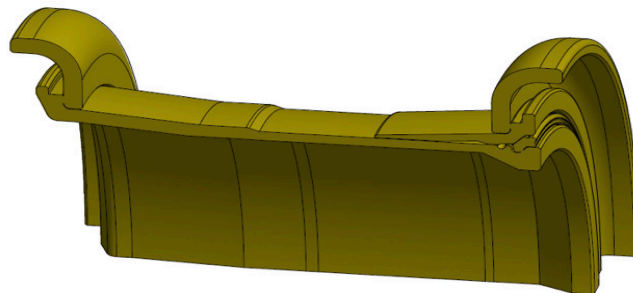
# MINING

## 33"-49" TYPE MRW



MINING

RIM SIZE	DIMENSIONS							
DIA. - WIDTH / FLANGE HT.	A	B	C	D	E	F	G	H
35-15.00 / 3.0	15	35	3	32.625	9.65	4.125	30.312	1.78
35-17.00 / 3.5	17	35	3.5	32.625	10.59	4.125	30.312	1.78
49-17.00 / 3.5	17	49	3.5	46.625	10.61	4.125	44.062	1.78
49-19.50 / 4.0	19.5	49	4	46.625	12	4.125	44.062	1.78
49-19.50 / 4.0 (RWEG)	19.5	49	4	46.625	12	N/A	43.945	1.78



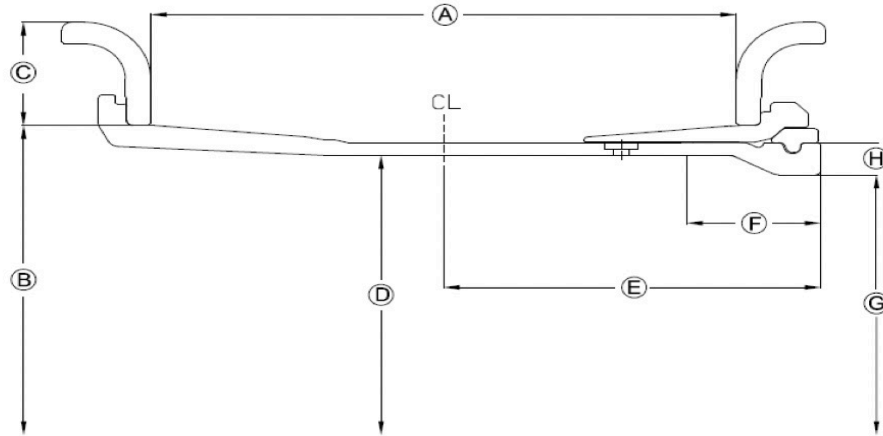
RIM SIZE	PART NUMBERS						
DIA. - WIDTH / FLANGE HT.	TIRE SIZE(S)	RIM BASE	BEADSEAT	SIDE FLANGE	LOCK RING	O-RING	ASSY WT.
35-15.00 / 3.0	21.00-35	B1535MRWEGD	BB35RTG	S3035	LR35W	OR335T	672
35-17.00 / 3.5	24.00-35	B1735MRWEGD	BB35RTG	S3535	LR35W	OR335T	734
49-17.00 / 3.5	24.00-49	B1749MRWEGD	BB49RTG	H3549A	LR49W	OR349T	1141.5
49-19.50 / 4.0	27.00-49	B1949RWEG	BB49RTG	R4049EH	LR49W	OR349T	1339.8
49-19.50 / 4.0	27.00-49	B1949MRWEGD	BB49RTG	R4049EH	LR49W	OR349T	1331.6



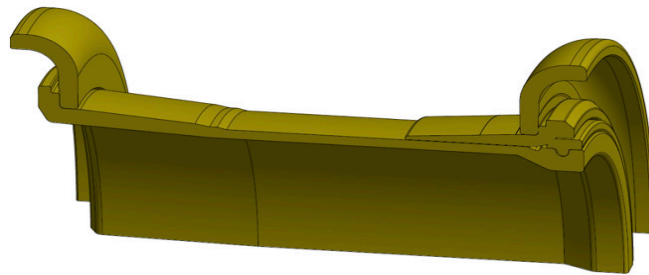
# MINING

## 5-PIECE RIM ASSEMBLIES

### 51"-57" STANDARD



RIM SIZE	DIMENSIONS							
DIA. - WIDTH / FLANGE HT.	A	B	C	D	E	F	G	H
51-22.00 / 4.5	22	51	4.5	47.75	14.875	5.86	45.218	1.86
51-24.00 / 5.0	24	51	5	47.75	15.875	5.86	45.218	1.86
51-26.00 / 5.0	26	51	5	47.75	16.875	5.86	45.218	1.86
51-32.00 / 4.5	32	51	4.5	47.75	19.875	5.86	45.218	1.86
51-40.00 / 4.5	40	51	4.5	47.75	23.875	5.86	45.218	1.86
57-27.00 / 6.0	27	57	6	53.75	17.375	5.86	51.218	1.86
57-29.00 / 6.0	29	57	6	53.75	18.375	5.86	51.218	1.86



RIM SIZE	PART NUMBERS						
DIA. - WIDTH / FLANGE HT.	TIRE SIZE(S)	RIM BASE	BEADSEAT	SIDE FLANGE	LOCK RING	O-RING	ASSY WT.
51-22.00 / 4.5	30.00-51	B2251EHD	BB51EHD	H4551	LR51HD	OR451T	1975
51-24.00 / 5.0	33.00-51	B2451EHD	BB51EHD	R5051H	LR51HD	OR451T	2255
51-26.00 / 5.0	36.00-51	B2651EHD	BB51EHD	R5051H	LR51HD	OR451T	2313
51-32.00 / 4.5	37.5-51	B3251EHD	BB51EHD	H4551	LR51HD	OR451T	2325
51-40.00 / 4.5	50.00-51	B4051EHD	BB51EHD	R4551H	LR51HD	OR451T	2540
	50/65-51						
57-27.00 / 6.0	37.00-57	B2757EHD	BB57EHD	R6057H	LR57HD	OR457T	2800
57-29.00 / 6.0	40.00-57	B2957EHD	BB57EHD	R6057H	LR57HD	OR457T	2940

## 16 RIM ASSEMBLIES

PRODUCT SPECIFICATIONS AND AVAILABILITY SUBJECT TO CHANGE WITHOUT NOTICE

MINING

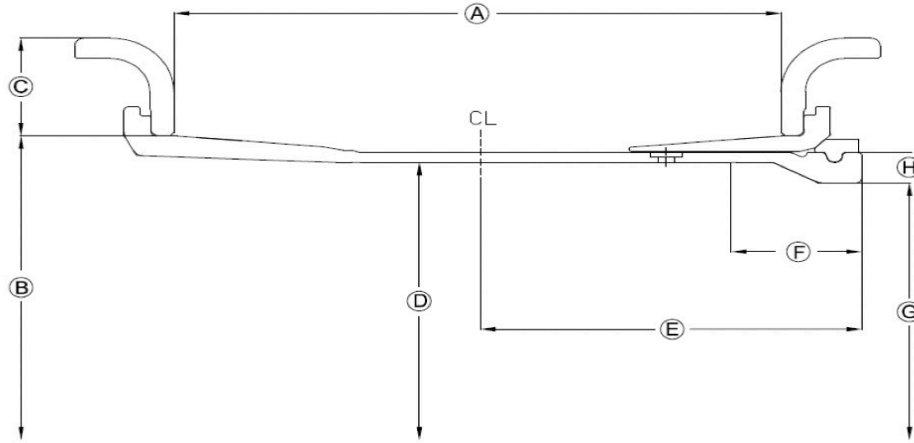




# 5-PIECE RIM ASSEMBLIES

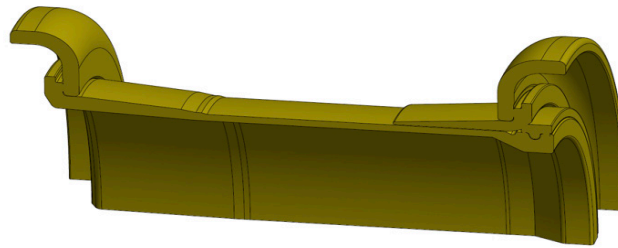
# MINING

## 51"-57" HEAVY DUTY



MINING

RIM SIZE	DIMENSIONS							
DIA. - WIDTH / FLANGE HT.	A	B	C	D	E	F	G	H
51-22.00 / 4.5	22	51	4.5	47.75	14.875	5.86	45.218	1.86
51-24.00 / 5.0	24	51	5	47.75	15.875	5.86	45.218	1.86
51-26.00 / 5.0	26	51	5	47.75	16.875	5.86	45.218	1.86
51-32.00 / 4.5	32	51	4.5	47.75	19.875	5.86	45.218	1.86
51-40.00 / 4.5	40	51	4.5	47.75	23.875	5.86	45.218	1.86
57-27.00 / 6.0	27	57	6	53.75	17.375	5.86	51.218	1.86
57-29.00 / 6.0	29	57	6	53.75	18.375	5.86	51.218	1.86



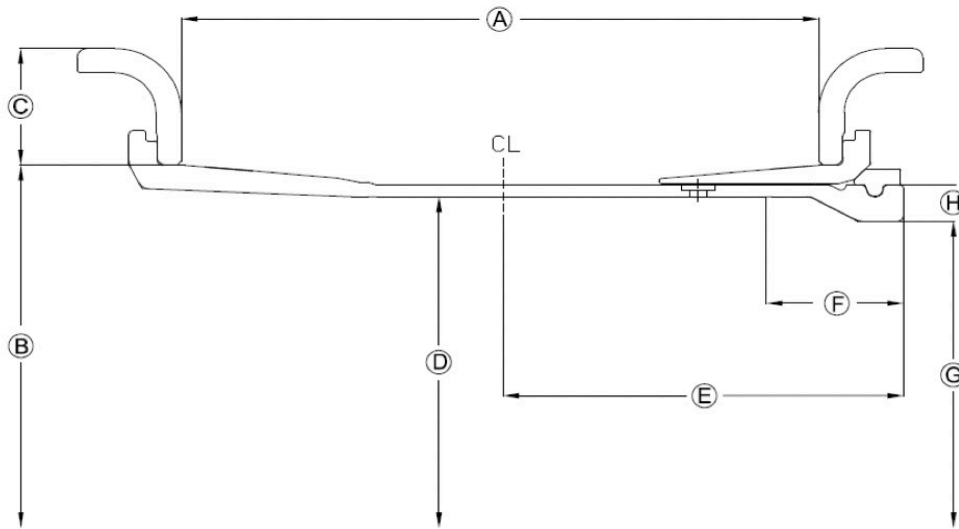
RIM SIZE	PART NUMBERS						
DIA. - WIDTH / FLANGE HT.	TIRE SIZE(S)	RIM BASE	BEADSEAT	SIDE FLANGE	LOCK RING	O-RING	ASSY WT.
51-22.00 / 4.5	30.00-51	514879201	5148704-50	5347396-50	LR51HD	OR451T	2316
51-24.00 / 5.0	33.00-51	514878101	5148704-50	5348389-00	LR51HD	OR451T	2599
51-26.00 / 5.0	36.00-51	514878201	5148704-50	5348389-00	LR51HD	OR451T	2646
51-40.00 / 4.5	50.00-51	514886401	5148865-00	5348389-00	LR51HD	OR451T	3169
	50/65-51						
57-27.00 / 6.0	37.00-57	514885201	5148732-50	5348388-50	LR57HD	OR457T	3167
57-29.00 / 6.0	40.00-57	514885501	5148732-50	5348388-50	LR57HD	OR457T	3204



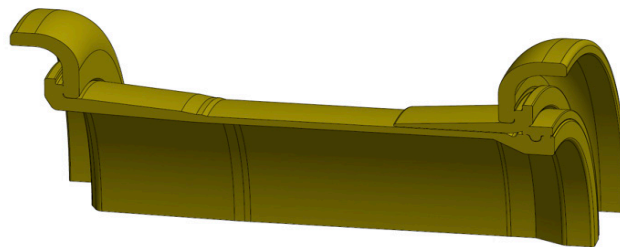
# MINING

## 5-PIECE RIM ASSEMBLIES

### 63" STANDARD



RIM SIZE	DIMENSIONS							
DIA. - WIDTH / FLANGE HT.	A	B	C	D	E	F	G	H
63-36.00	36	63	5	59	20.78	7.86	56.31	2.31



RIM SIZE	PART NUMBERS						
DIA. - WIDTH / FLANGE HT.	TIRE SIZE(S)	RIM BASE	BEADSEAT	SIDE FLANGE	LOCK RING	O-RING	ASSY WT.
63-36.00	53/80 R63	WB633650501	515083950	R5063HMS	LR63HD	OR463T	4657

Note: 63-41.00 and 63-44.00 rim assemblies are also available.

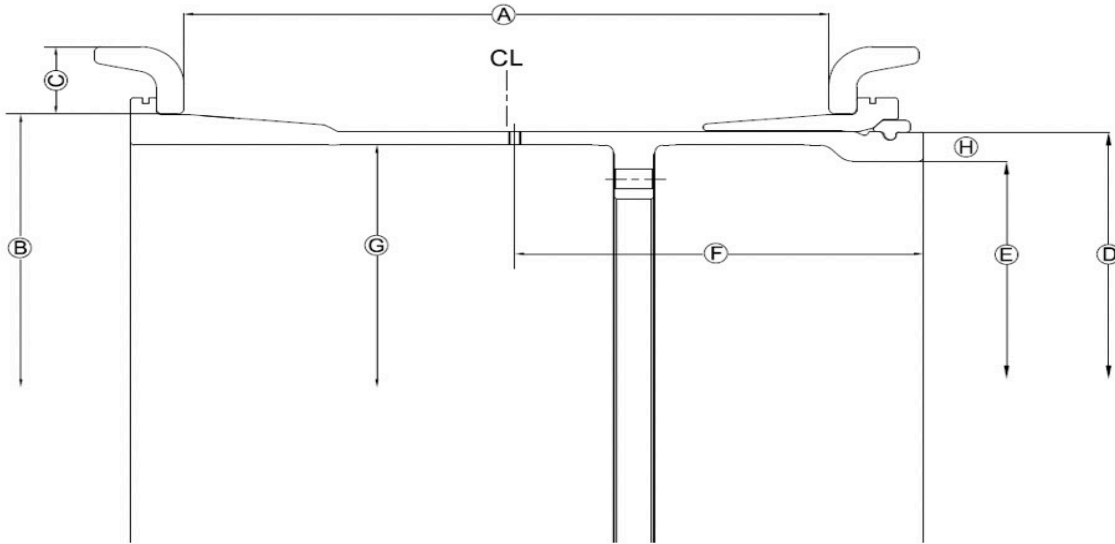


# 5-PIECE RIM ASSEMBLIES

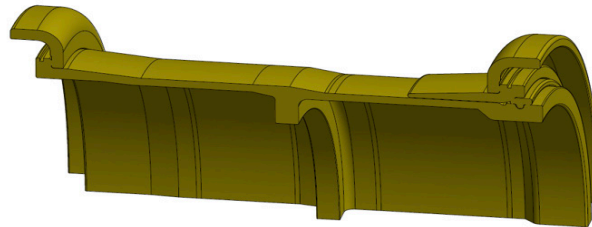
# MINING

## 63" HEAVY DUTY

MINING



RIM SIZE	DIMENSIONS							
DIA. - WIDTH / FLANGE HT.	A	B	C	D	E	F	G	H
63-36.00	36	63	5	60.417	55.772	15.75	59.646	2.32
63-41.00	41	63	5	60.417	55.772	15.75	59.646	2.32
63-44.00	44	63	5	60.417	55.772	15.75	59.646	2.32



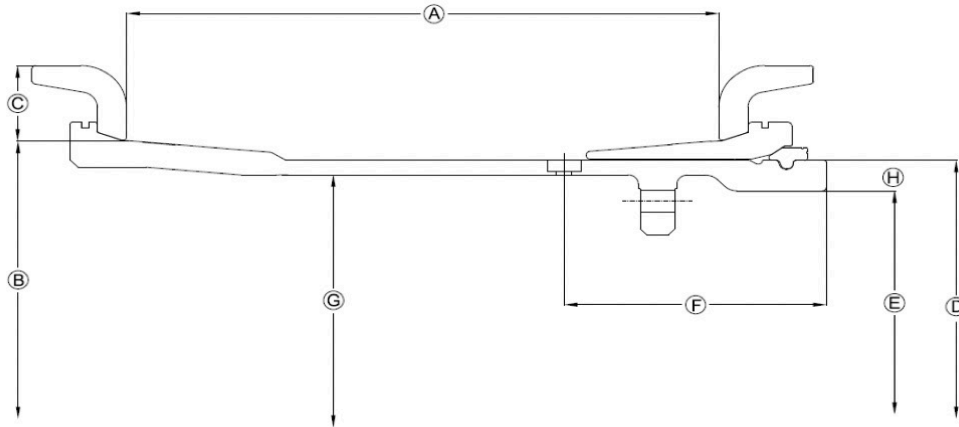
RIM SIZE	PART NUMBERS						
DIA. - WIDTH / FLANGE HT.	TIRE SIZE(S)	RIM BASE	BEADSEAT	SIDE FLANGE	LOCK RING	O-RING	ASSY WT.
63-36.00	53/80 R63	WB633650504	WBB056302	WSR506303	LR63HDS	OR463T	6570
63-41.00	55/80 R63	WB634150504	WBB056302	WSR506303	LR63HDS	OR463T	6593
63-44.00	58/80 R63, 59/80 R63	WB634450504	WBB056302	WSR506303	LR63HDS	OR463T	6615



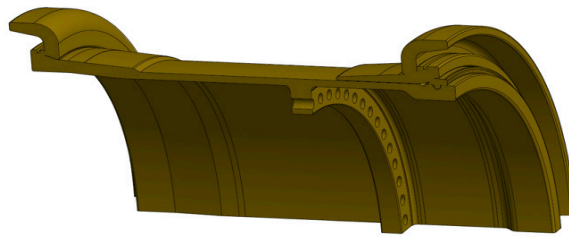
# MINING

# 5-PIECE RIM ASSEMBLIES

## 63" HEAVY DUTY TAPERED



RIM SIZE	DIMENSIONS							
DIA.-WIDTH/FLANGE HT	A	B	C	D	E	F	G	H
63-36.00	36	63	5	60.417	56.365	20.25	58.512	2.03
63-36.00	36	63	5	60.417	55.787	13.58	58.512	2.32
63-41.00	41	63	5	60.417	56.11	25.98	58.512	2.15
63-44.00	44	63	5	60.417	55.772	15.77	59.645	2.32



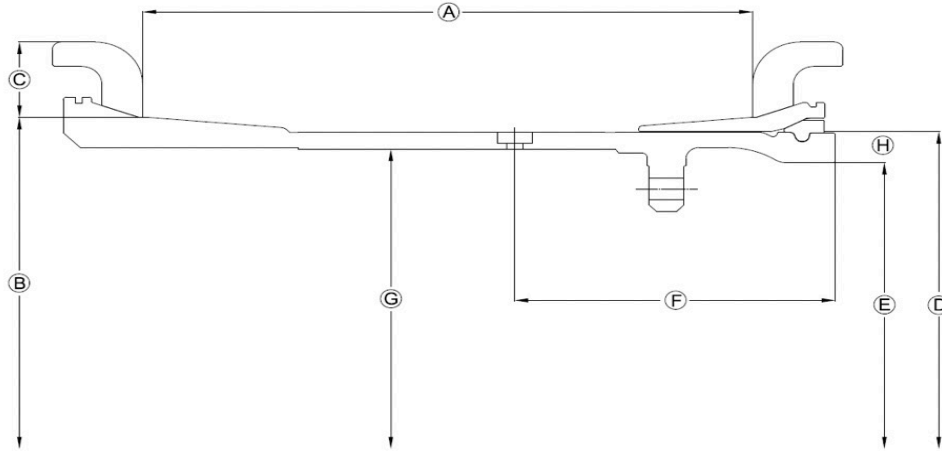
RIM SIZE	PART NUMBERS						
DIA.-WIDTH/FLANGE HT.	TIRE SIZE(S)	RIM BASE	BEADSEAT	SIDE FLANGE	LOCK RING	O-RING	ASSY WT
63-36.00	53/80R63	WB6336501	BB056302	SR506304	LR056303	OR463T	6262
63-36.00	53/80R63	WB6336510	BB056302	SR506304	LR056303	OR463T	5821
63-41.00	55/80R63	WB6341504	BB056302	SR506304	LR056303	OR463T	6493
63-44.00	58/80R63	WB6344503	BB056302	SR506304	LR056303	OR463T	6592



# 5-PIECE RIM ASSEMBLIES

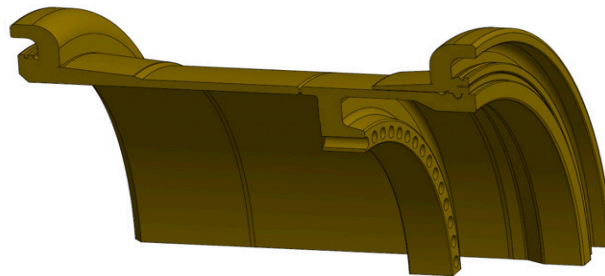
# MINING

## TLS HD 5-PIECE



MINING

RIM SIZE	DIMENSIONS							
DIA.-WIDTH/FLANGE HT	A	B	C	D	E	F	G	H
57-29.00	29	57	6	54.94	51.25	11.5	53	1.84
63-36.00	36	63	5	60.937	56.5	23.67	59.031	2.22
63-41.00	41	63	5	60.937	56.5	26.18	59.031	2.22
63-44.00	44	63	5	60.937	57	15.77	59	1.97



RIM SIZE	PART NUMBERS						
DIA.-WIDTH/FLANGE HT	TIRE SIZE(S)	RIM BASE	BEADSEAT	SIDE FLANGE	LOCK RING	O-RING	ASSY WT
57-29.00	40.00-57	WB5729518	BB055710	SR605702	LR055703	OR463T	4520
63-36.00	53/80R63	WB6336507	BB056308	SR506305	LR056304	OR463T	6788
63-41.00	55/80R63	WB6341505	BB056308	SR506305	LR056304	OR463T	7053
63-44.00	55/80R63	WB6344505	BB056308	SR506305	LR056304	OR463T	6674

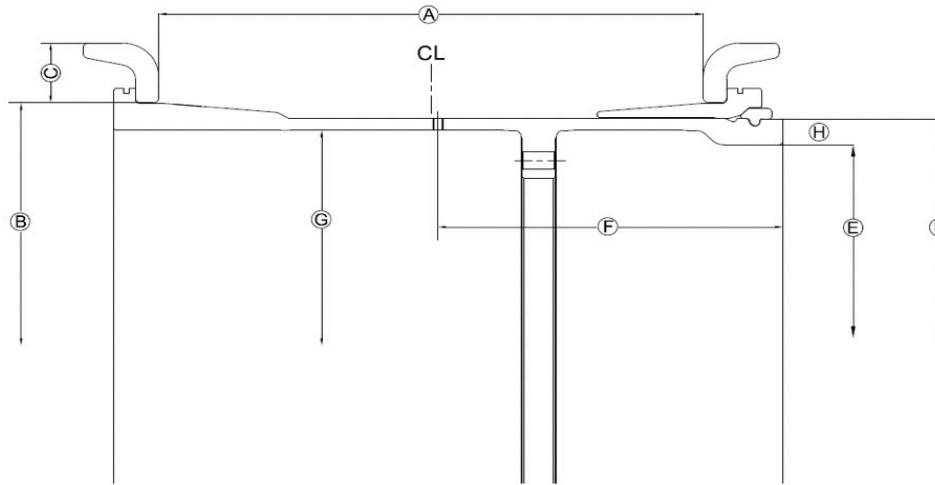
**OTR'S TLS** —tapered lock system—type rim assemblies are available in 5-, 6-, and 7-piece configurations that are compatible with competitors' models, as form-fit-function replacements for stock rims as well. HSLA grade steel is used for critical components, with seamless forged gutters and fully machined sections yielding a best-in-class solution for mining vehicles and earthmoving equipment.



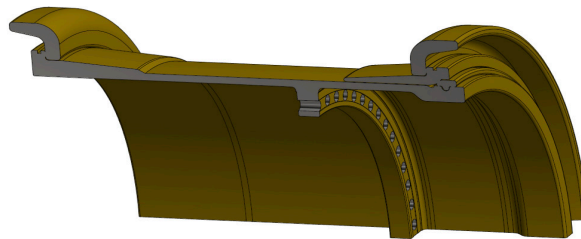
# MINING

# 5-PIECE RIM ASSEMBLIES

## STANDARD 5-PIECE



RIM SIZE	DIMENSIONS							
DIA.-WIDTH/FLANGE HT	A	B	C	D	E	F	G	H
63-36.00	36	63	5	60.417	55.787	14.811	58.504	2.32
63-41.00	41	63	5	60.417	56.11	25.984	58.504	2.15
63-44.00	44	63	5	60.417	55.771	15.768	59.646	2.32



RIM SIZE	PART NUMBERS						
DIA.-WIDTH/FLANGE HT	TIRE SIZE(S)	RIM BASE	BEADSEAT	SIDE FLANGE	LOCK RING	O-RING	ASSY WT
63-36.00	53/80R63	WB6336511	BB056301	SR506303	LR056302	OR463T	6295
63-41.00	55/80R63	WB6341503	BB056301	SR506303	LR056302	OR463T	6696
63-44.00	58/80R63	WB6344502	BB056301	SR506303	LR056302	OR463T	6502

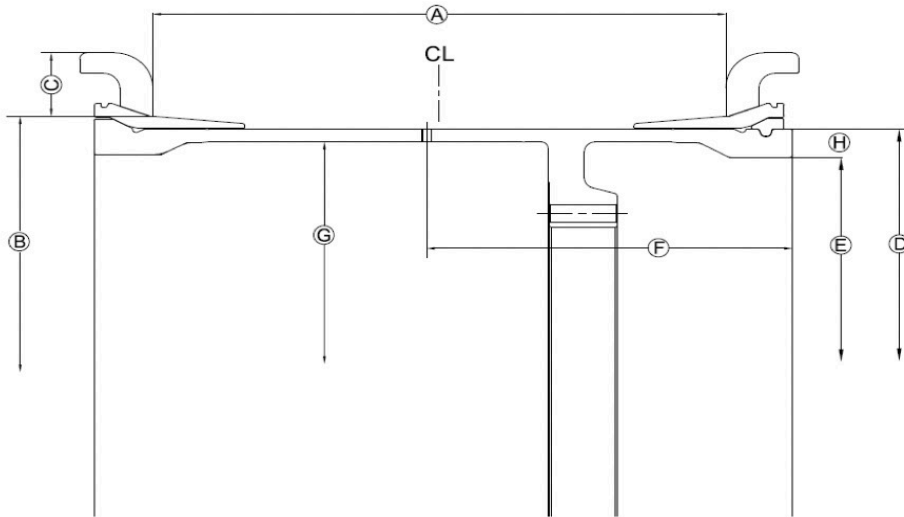
MINING



# 6-PIECE RIM ASSEMBLIES

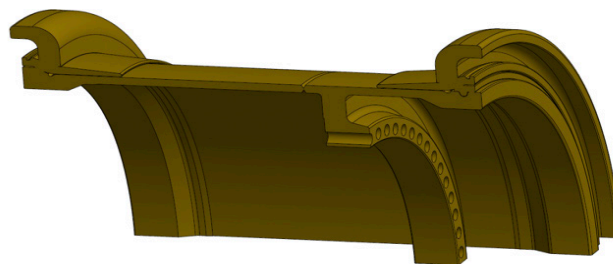
# MINING

## TLS HD 6-PIECE



MINING

RIM SIZE	DIMENSIONS							
DIA.-WIDTH/FLANGE HT	A	B	C	D	E	F	G	H
57-29.00	29	57	6	54.94	51.25	12	53	1.84
63-36.00	36	63	5	60.937	56.5	23.661	58.969	2.22
63-41.00	41	63	5	60.937	56.5	26.181	58.969	2.22
63-44.00	44	63	5	60.937	55.772	15.748	58.969	2.58



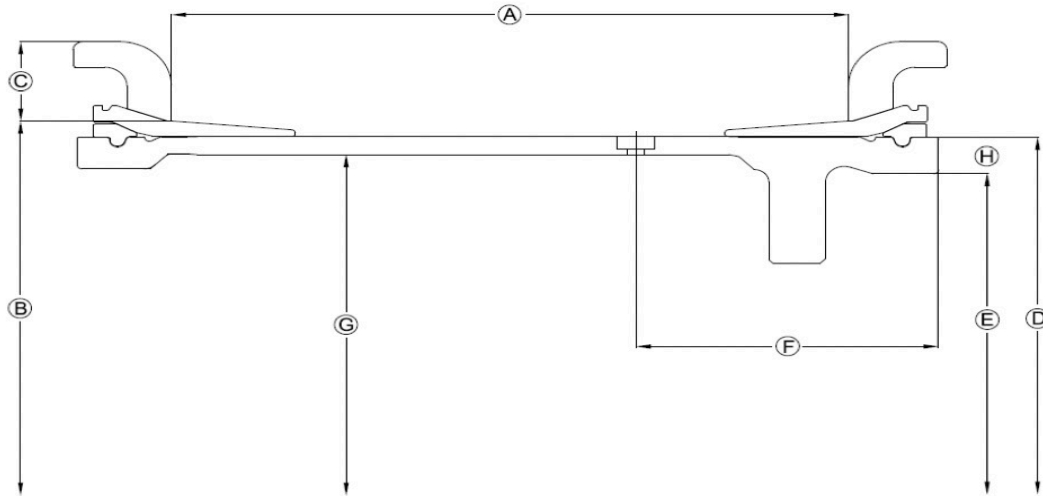
RIM SIZE	PART NUMBERS						
DIA.-WIDTH/FLANGE HT	TIRE SIZE(S)	RIM BASE	BEADSEAT	SIDE FLANGE	LOCK RING	O-RING	ASSY WT
57-29.00	40.00-57, 46/90R57	WB5728601	BB055710	SR605702	LR055703	OR463T	5097
63-36.00	53/80R63	WB6336604	BB056308	SR506305	LR056304	OR463T	6945
63-41.00	55/80R63	WB6341603	BB056308	SR506305	LR056304	OR463T	7192
63-44.00	58/80R63	WB6344601	BB056308	SR506305	LR056304	OR463T	7007



# MINING

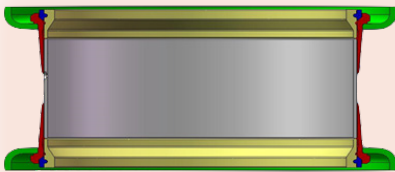
# 7-PIECE RIM ASSEMBLIES

## TLS HD 7-PIECE



RIM SIZE	DIMENSIONS							
DIA.-WIDTH/FLANGE HT	A	B	C	D	E	F	G	H
57-29.00	29	57	6	54.937	51.248	11.63	53	1.84
63-36.00	36	63	5	60.937	56.5	23.671	59.031	2.22
63-41.00	41	63	5	60.937	56.5	26.171	59.031	2.22
63-44.00	44	63	5	60.937	57	15.748	58.969	1.97

RIM SIZE	PART NUMBERS						
DIA.-WIDTH/FLANGE HT	TIRE SIZE(S)	RIM BASE	BEADSEAT	SIDE FLANGE	LOCK RING	O-RING	ASSY WT
57-29.00	40.00-57, 46/90R57	WB5729701	BB055710	SR605702	LR055703	OR463T	5331
63-36.00	53/80R63	WB6336706	BB056308	SR506305	LR056304/LR056306	OR463T	7055
63-41.00	55/80R63	WB6341707	BB056308	SR506305	LR056304/ LR056306	OR463T	7300
63-44.00	58/80R63	WB6344702	BB056308	SR506305	LR056304/ LR056306	OR463T	6874



### DOUBLE-GUTTER WHEELS

OTR designs and manufactures 7-piece double-gutter steel mining wheels ranging in size from 51" to 63", enabling easy demounting without having to remove the inside tire in a dual-tire configuration. Wheel sizes and configurations are compatible with industry standards and popular fitments for retrofitting fleets. Wheels include an integrated Sur-Loc system to prevent inflation if using an incorrectly mounted lock ring. As a result, wheel demounting and operation is safe and efficient.

**TIME SAVINGS:** Standard mining wheels take on average 165 minutes to demount and set-up vs. OTR's wheel design that takes less than half that time, saving up to 85 valuable minutes. This ensures more productivity and utilization for vehicles and machines—the ideal solution for fleets operating 24/7.

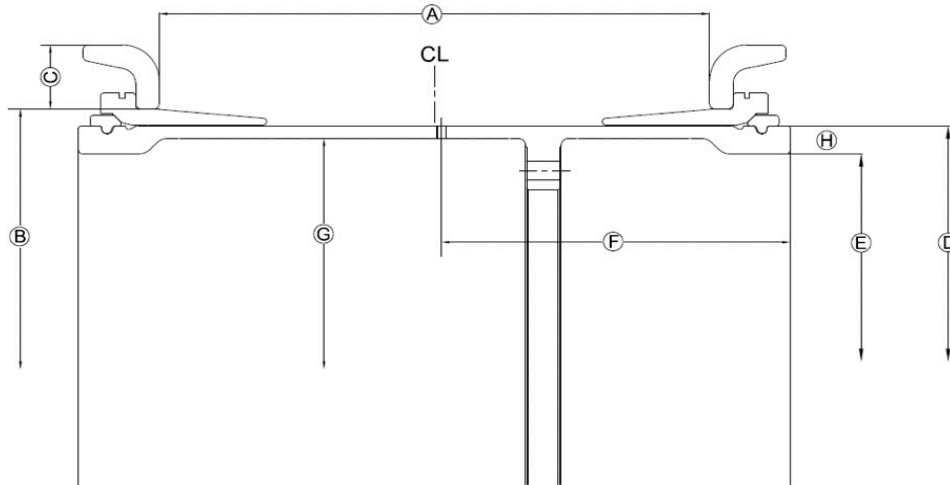




# 7-PIECE RIM ASSEMBLIES

# MINING

## STANDARD 7-PIECE



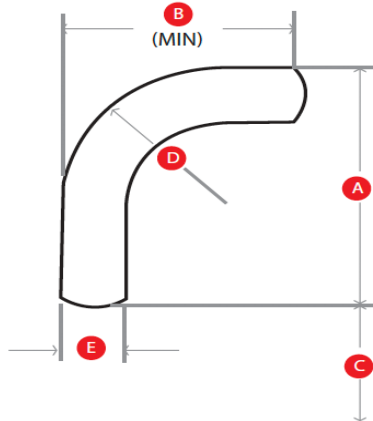
MINING

RIM SIZE	DIMENSIONS							
DIA.-WIDTH/FLANGE HT	A	B	C	D	E	F	G	H
63-36.00	36	63	5	60.417	55.787	14.811	58.504	2.32
63-41.00	41	63	5	60.417	56.11	25.984	58.504	2.15
63-44.00	44	63	5	60.417	55.771	15.768	59.646	2.32

RIM SIZE	PART NUMBERS						
DIA.-WIDTH/FLANGE HT	TIRE SIZE(S)	RIM BASE	BEADSEAT	SIDE FLANGE	LOCK RING	O-RING	ASSY WT
63-36.00	53/80R63	WB6336705	BB056301	SR506303	LR056302/LR056305	OR463T	6846
63-41.00	55/80R63	WB6341706	BB056301	SR506303	LR056302/LR056324	OR463T	7240
63-44.00	58/80R63	WB6344701	BB056301	SR506303	LR056302/ LR056305	OR463T	7551

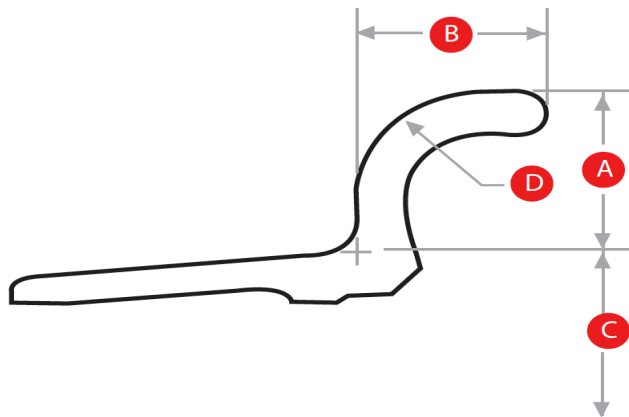


**25" & 29" FLANGES FOR 5PC RIMS/WHEELS**



DIMENSIONS							
RIM DIAMETER	PART NUMBER	A	B-MIN	C	D	E	WEIGHT
25	S2025	2	1.25	25	1.25	0.5	28.1
25	S2525	2.5	1.75	25	1.5	0.63	44.5
25	S3025	3	2.13	25	1.75	0.63	56.2
25	S3525	3.5	2.25	25	2	0.63	66.8
29	S3029	3	2.13	29	1.75	0.63	63.7
29	S3529	3.5	2.25	29	2	0.63	77

**25" SIDE RINGS FOR 3PC RIMS/WHEELS**



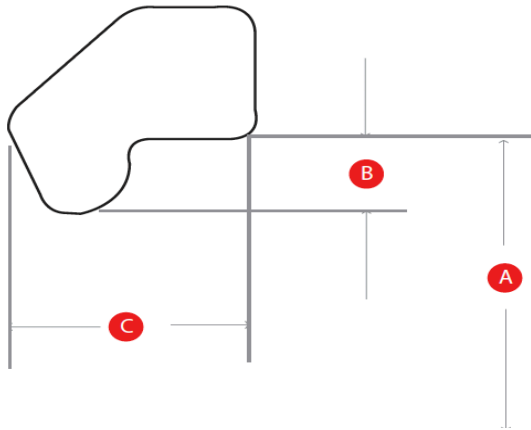
DIMENSIONS						
RIM DIAMETER	PART NUMBER	A	B-MIN	C	D	WEIGHT
25	F25TU 1.3	1.3	1.63	24.95	0.9	35.3
25	F25TG	1.7	0.97	25	0.9	54.6
25	F1025T	1.5	1.07	25	1	42.2
25	SF1725TU	1.7	0.97	25	0.9	54.6



# MINING

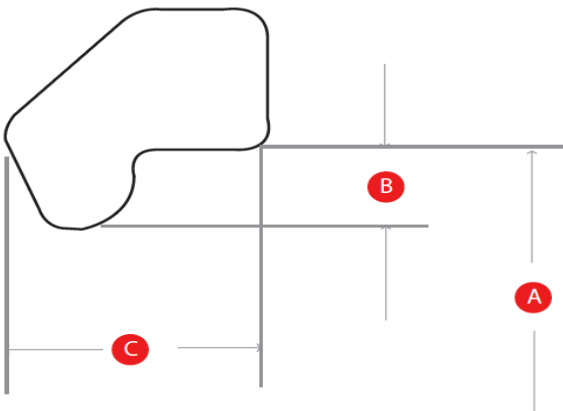
# COMPONENTS

## 25" LOCK RINGS FOR 3PC RIMS/WHEELS



DIMENSIONS					
RIM DIAMETER	PART NUMBER	A	B	C	WEIGHT
25	LR25T	23.6	0.22	0.63	5.42

## 25" & 29" LOCK RINGS FOR 5PC RIMS/WHEELS

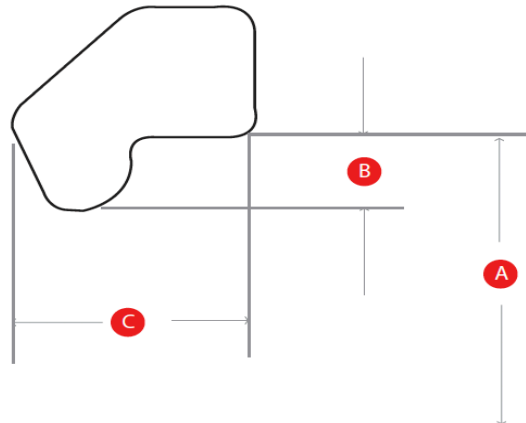


5TM LOCK RING

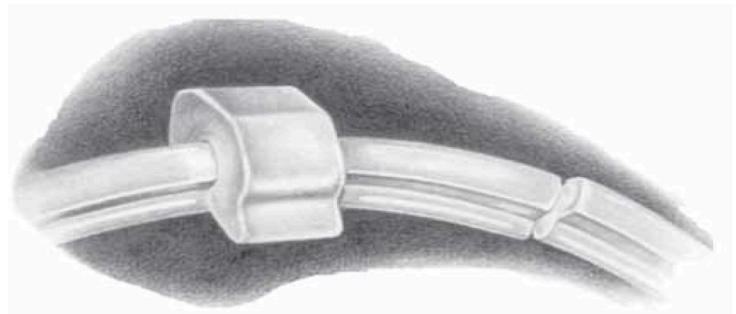
DIMENSIONS					
RIM DIAMETER	PART NUMBER	A	B	C	WEIGHT
25	LR255TM	23.2	0.34	0.97	12.2
29	LR295TM	27.2	0.34	0.97	14.2

**25" & 29" LOCK RINGS FOR 5PC RIMS/WHEELS**

**MINING**



**5TN LOCK RING**



		DIMENSIONS				
RIM DIAMETER	PART NUMBER	A	B	C	DRIVER TYPE	WEIGHT
25	LR255TN	23.2	0.34	0.97	CRIMPED	13
29	LR295TN	27.2	0.34	0.97	CRIMPED	15.2

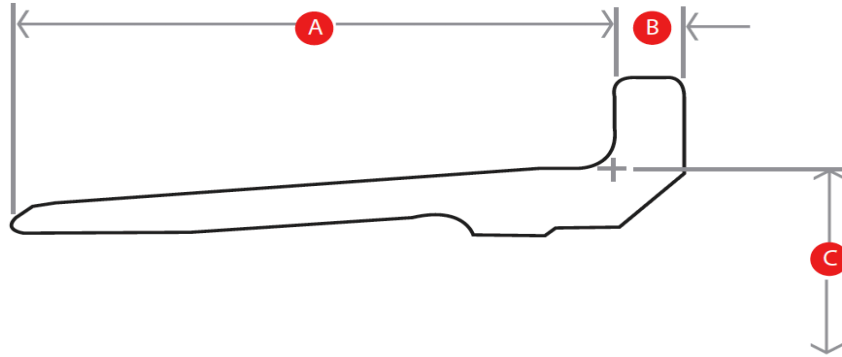


# MINING

# COMPONENTS

## 25" & 29" BEAD SEAT BANDS FOR 5PC RIMS/WHEELS

MINING



DIMENSIONS						
RIM DIAMETER	PART NUMBER	A	B	C	DRIVER TYPE	WEIGHT
25	BB25STG	5	0.56	25	NONE	58.4
25	BB25STN	5	0.56	25	NOTCH	58.4
25	BB25ST31	5	0.56	25	OUTBOARD	58.3
25	BB25HTG	6.31	0.65	25	NONE	58.4
25	BB25HTN	6.31	0.65	25	NOTCH	70.1
25	BB25HT31	6.31	0.65	25	OUTBOARD	71.4
29	BB29HTG	6.31	0.65	29	NONE	81
29	BB29HTN	6.31	0.65	29	NOTCH	80
29	BB29HT31	6.31	0.65	29	OUTBOARD	82.1

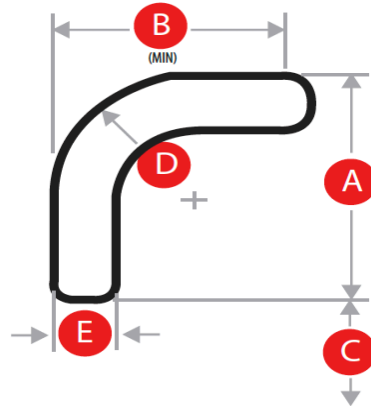


ST31/HT31



STN/HTN

**33"-49" FLANGES FOR 5PC RIMS/WHEELS**



MINING

DIMENSIONS							
RIM DIAMETER	PART NUMBER	A	B	C	D	E	WEIGHT
33	S2533	2.5	1.75	33	1.5	0.63	58
33	S3533	3.5	2.25	33	2	0.63	87.6
33	S4033	4	2.56	33	2.25	0.75	119.6
33	S4533	4.5	2.88	33	2.5	0.75	139.4
35	S3035	3	2.13	35	1.75	0.63	77.4
35	S3535	3.5	2.25	35	2	0.63	92.8
35	S4035	4	2.56	35	2.25	0.75	128.4
39	S4039	4	2.56	39	2.25	0.75	144.2
39	S4539	4.5	2.88	39	2.5	0.75	164.8
45	S4545	4.5	2.88	45	2.5	0.75	188.8
45	S4545HF	4.5	3	45	2.25	0.71	185
45	R4545H	4.5	3.4	45	2.5	1	269
45	R4545EH	4.5	3.5	45	2.25	0.98	278
45	R4545HMS	4.5	3.39	45	2.25	0.98	278
49	H3549A	3.5	3.5	49	2	0.87	174
49	H4049A	4	3.31	49	2.25	0.87	220
49	R4049EH	4	3.39	49	2.25	1.1	293
49	R4049HMS***	4	3.66	49	2.25	0.98	287

\*\*\*HMS is for Hot Forged Seamless Ring

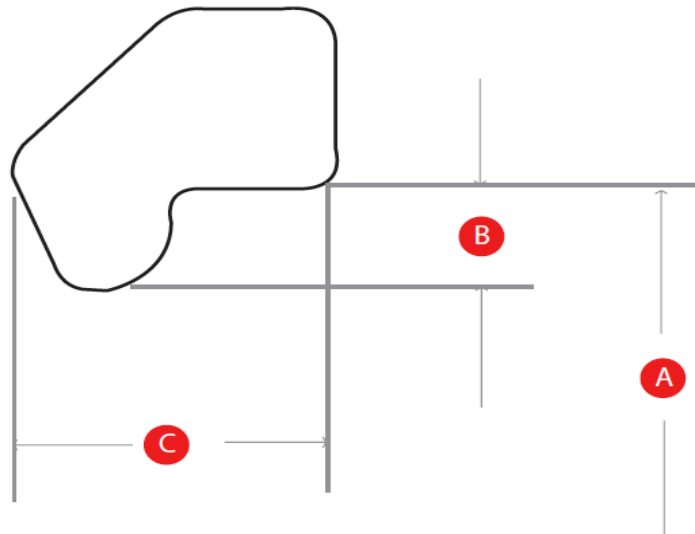


# MINING

# COMPONENTS

## 33"-49" LOCK RINGS FOR 5PC RIMS/WHEELS

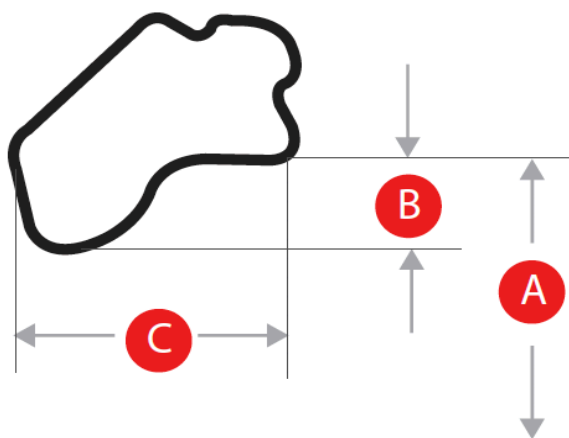
MINING



5TM LOCK RING

### DIMENSIONS

RIM DIAMETER	PART NUMBER	A	B	C	WEIGHT
33	LR335TM	31.2	0.34	0.97	16.2
35	LR355TM	33.2	0.34	0.97	17.2
39	LR395TM	37.4	0.34	0.97	19.4
45	LR455TM	43.2	0.34	0.97	20.9



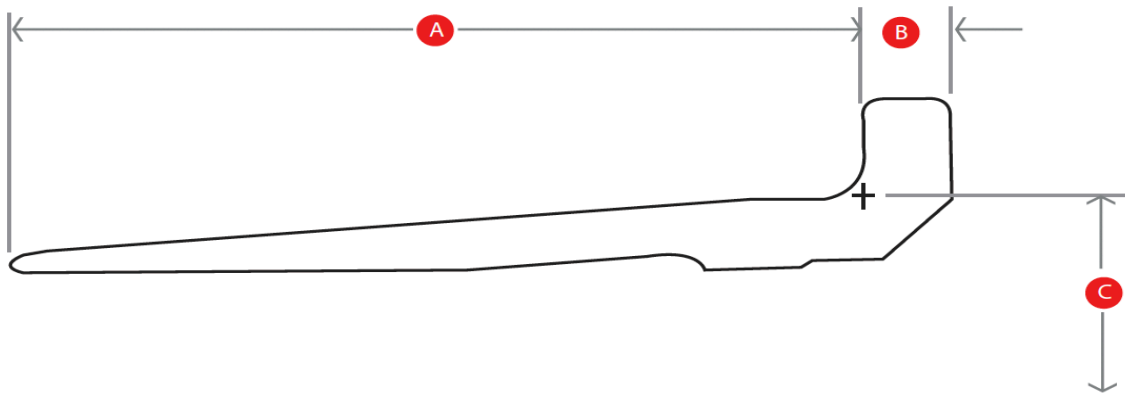
W LOCK RING

### DIMENSIONS

RIM DIAMETER	PART NUMBER	A	B	C	WEIGHT
33	LR33W	31.1	0.38	1.1	19.7
35	LR35W	33.1	0.38	1.1	20.8
49	LR49W	47.1	0.38	1.1	29.8



## 33"-49" BEAD SEATS FOR 5PC RIMS/WHEELS



MINING

DIMENSIONS						
RIM DIAMETER	PART NUMBER	A	B	C	DRIVER TYPE	WEIGHT
33	BB33RTG(N)*	6.94	1.13	33	NONE	110.5
33	BB33RTL	6.94	1.13	33	OUTBOARD	111.8
35	BB35RTG	6.94	1.13	35	NONE	118.2
39	BB39RTL	6.94	1.13	39	OUTBOARD	132.6
45	BB45RTG	6.31	1.13	45	NONE	140
45	BB45RTL**	6.31	1.13	45	OUTBOARD	142
49	BB49RTG	6.94	1.13	49	NONE	165.1

\* (N) identifies a bead seat with notches in the outer lip for hydraulic tool access; necessary when used with 13.00 wide rim assemblies.

\*\* Identifies bead seat with large outboard driver pocket DP49A.



RTL

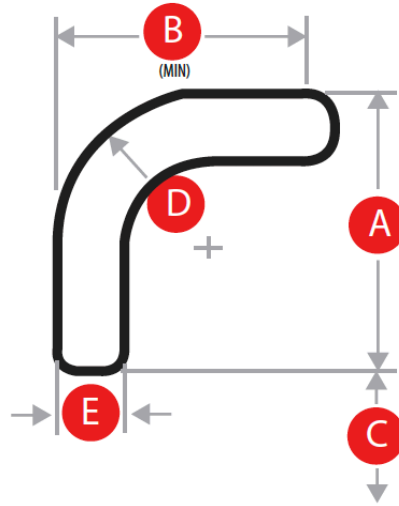


# MINING

# COMPONENTS

## 51" & 57" FLANGES FOR 5PC RIMS/WHEELS

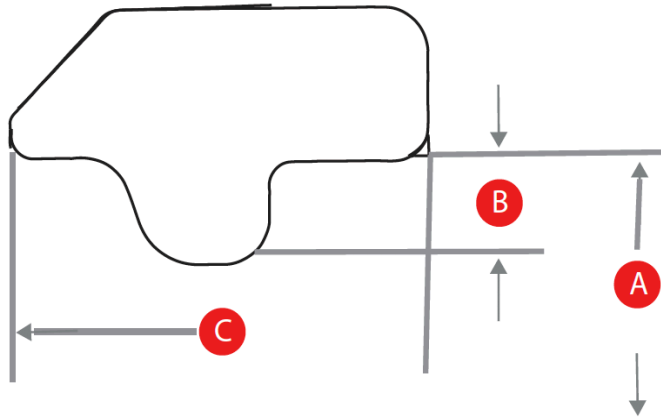
MINING



### DIMENSIONS

RIM DIAMETER	PART NUMBER	A	B	C	D	E	WEIGHT
51	H4551	4.5	2.88	51	2.5	0.88	245.2
51	S4551HF	4.5	3.16	51	2.5	0.71	271
51	R4551HMS SEAMLESS DESIGN	4.5	3.16	51	2.5	0.98	518
51	S5051HF	5	4.09	51	2.75	1.1	450
51	R5051H	5	4	51	2.75	1	360
57	R5051HMS SEAMLESS DESIGN	5	5.16	51	2.75	1.26	573
57	R5057H	5	4.53	57	2.75	0.98	418.9
57	S5057HF	5	5.2	57	2.75	1.1	496
57	R5057 HMS SEAMLESS DESIGN	5	5	57	2.75	1.2	577
57	R6057H	6	5.2	57	2.75	1.1	555.6
57	R6057EH	6	4.44	57	3.3	1	452
57	R6057HMS SEAMLESS DESIGN	6	5.16	57	2.75	1.26	606.3
57	R6557HMS SEAMLESS DESIGN	6	5.16	57	2.75	1.26	617.3
57	S6557HF	6.5	5.16	57	2.75	1.26	661.4

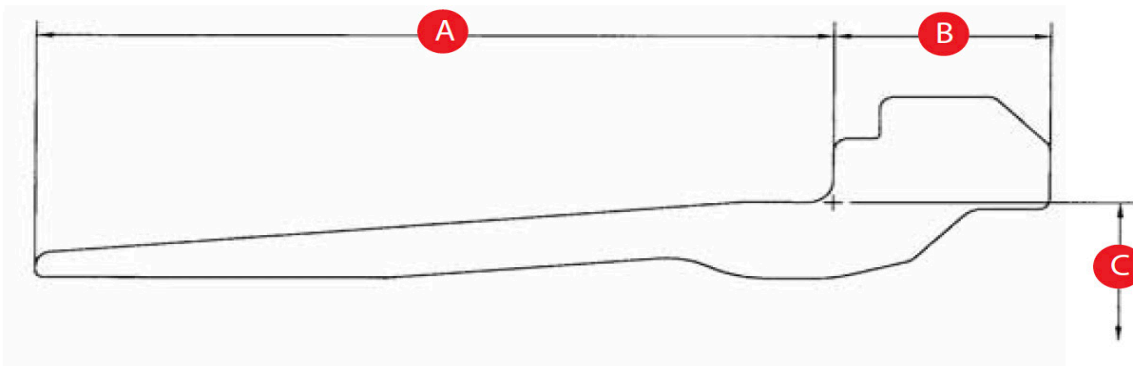
**51" & 57" LOCK RINGS FOR 5PC RIMS/WHEELS**



DIMENSIONS					
RIM DIAMETER	PART NUMBER	A	B	C	WEIGHT
51	LR51HD	48.7	0.55	2.31	94.6
57	LR57HD	54.7	0.55	2.31	105.8

Note: TLS lock rings are also available.

**51" & 57" BEAD SEAT BAND W/ SURLOC FOR 5PC RIMS/WHEELS**



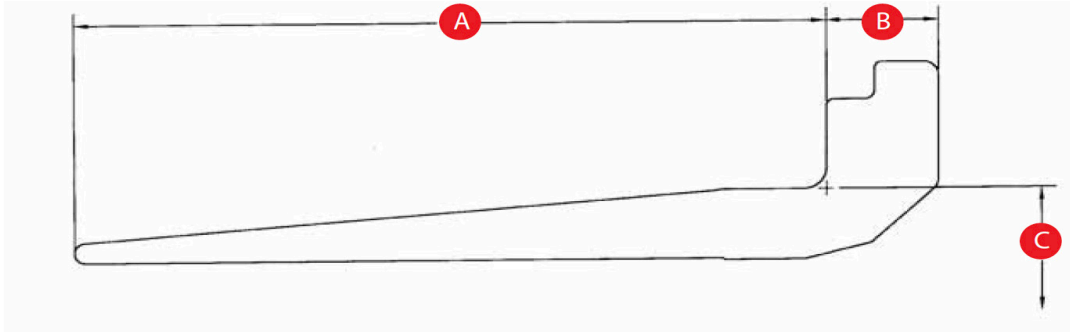
DIMENSIONS						
RIM DIAMETER	PART NUMBER	A	B	C	DRIVER TYPE	WEIGHT
51	BB51EHD	8.75	2.36	51.0	NONE	303.4
57	BB57EHD	8.75	2.36	57.0	NONE	338.0



# MINING

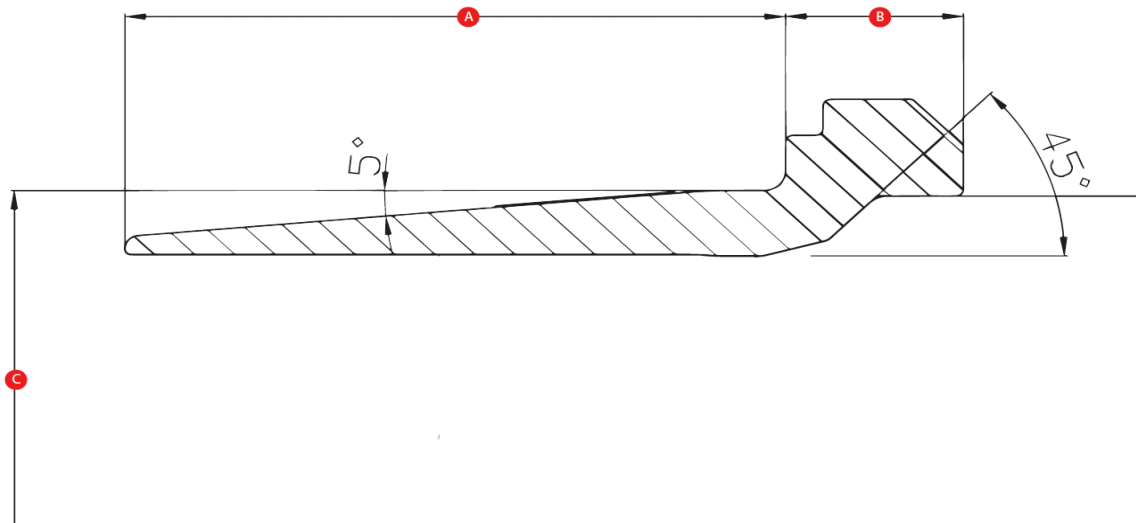
# COMPONENTS

## 51" & 57" BEAD SEAT BANDS FOR HEAVY DUTY 5PC RIMS/WHEELS



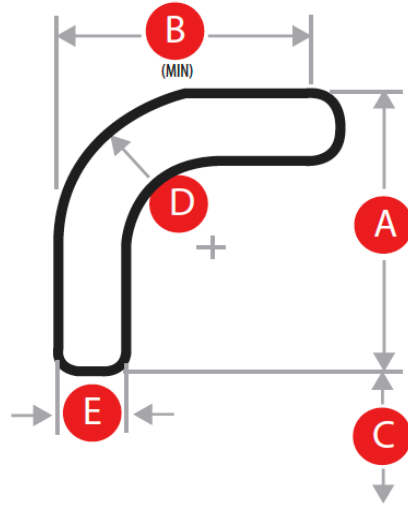
DIMENSIONS						
RIM DIAMETER	PART NUMBER	A	B	C	DRIVER TYPE	WEIGHT
51	514870450	9.17	1.38	51.0	NONE	302.0
57	514873250	9.17	1.38	57.0	NONE	341.0

## 57" BEAD SEAT BANDS W/ SURLOC FOR 5PC RIMS/WHEELS



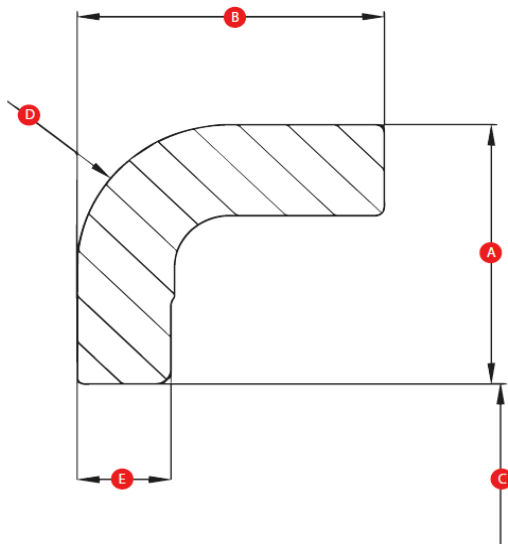
DIMENSIONS						
RIM DIAMETER	PART NUMBER	A	B	C	DRIVER TYPE	WEIGHT
57	WBB055701	8.74	2.36	57	NONE	440

**63" FLANGES FOR STANDARD 5PC RIMS/WHEELS**



DIMENSIONS							
RIM DIAMETER	PART NUMBER	A	B-MIN	C	D	E	WEIGHT
63	S5063HF	5	5.59	57	2.75	1.1	610.7
63	R5063 HMS SEAMLESS DESIGN	5	5.51	63	2.75	1.38	670.2

**63" FLANGES FOR HEAVY DUTY 5PC RIMS/WHEELS**



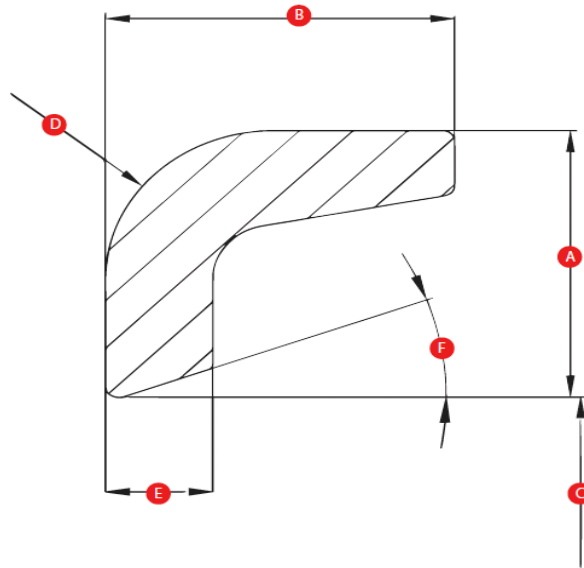
DIMENSIONS							
RIM DIAMETER	PART NUMBER	A	B-MIN	C	D	E	WEIGHT
63	WSR506303	5	5.512	63.051	2.75	1.69	836



# MINING

# COMPONENTS

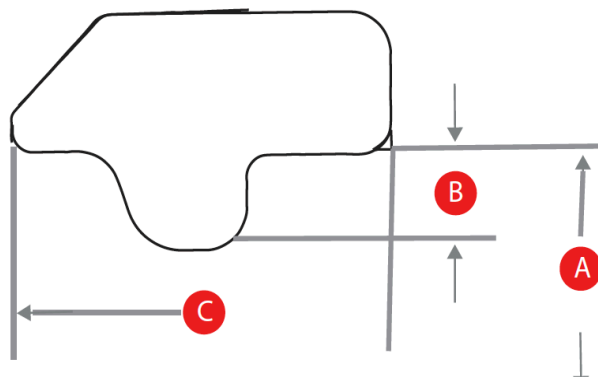
## 63" FLANGES FOR HEAVY DUTY TAPERED 5PC RIMS/WHEELS



### DIMENSIONS

RIM DIAMETER	PART NUMBER	A	B	C	D	E	WEIGHT
63	WSR506304	5	5.512	63.051	2.75	1.75	790

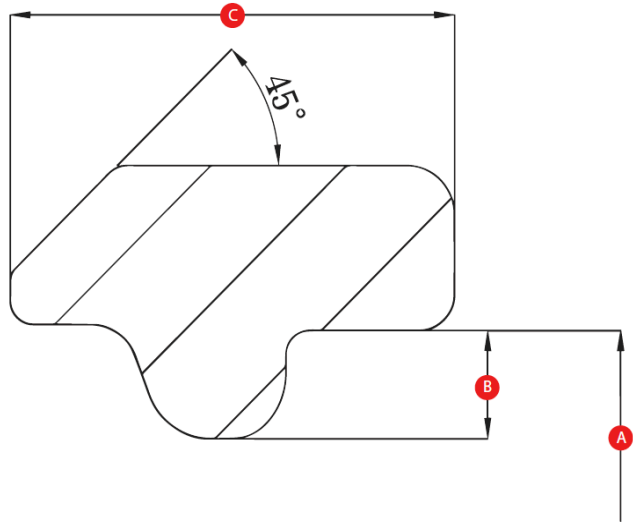
## 63" LOCK RINGS FOR STANDARD 5PC RIMS/WHEELS



### DIMENSIONS

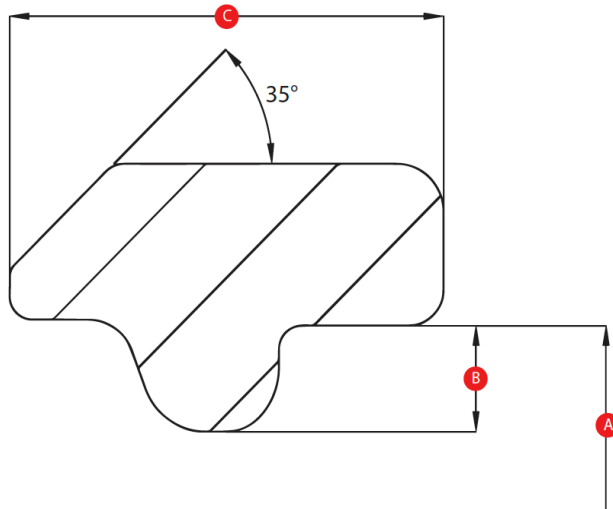
RIM DIAMETER	PART NUMBER	A	B	C	WEIGHT
63	LR63HD	60.7	0.55	2.31	116

**63" LOCK RINGS FOR HEAVY DUTY TAPERED 5PC RIMS/WHEELS**



DIMENSIONS					
RIM DIAMETER	PART NUMBER	A	B	C	WEIGHT
63	LR63HDS	60.417	0.551	2.307	116

**63" (35°) LOCK RINGS FOR HEAVY DUTY TAPERED 5PC RIMS/WHEELS**



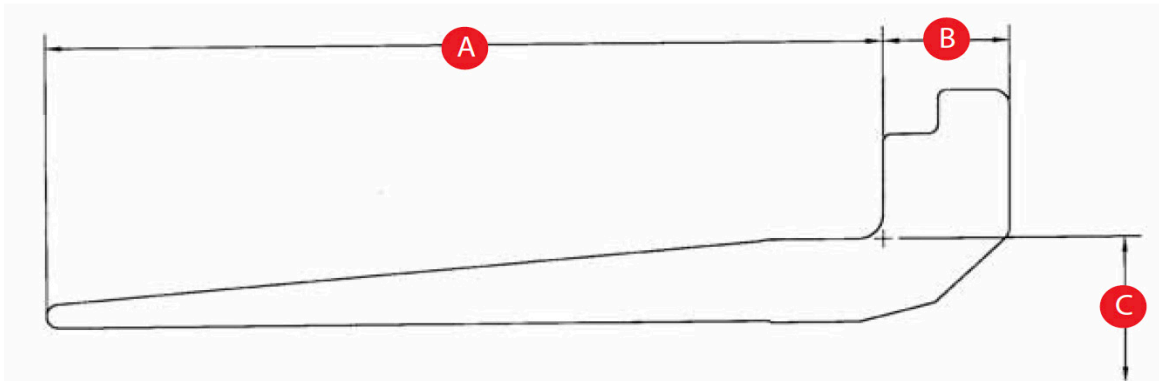
DIMENSIONS					
RIM DIAMETER	PART NUMBER	A	B	C	WEIGHT
63	LR63HDS35	60.417	0.551	2.307	116



# MINING

# COMPONENTS

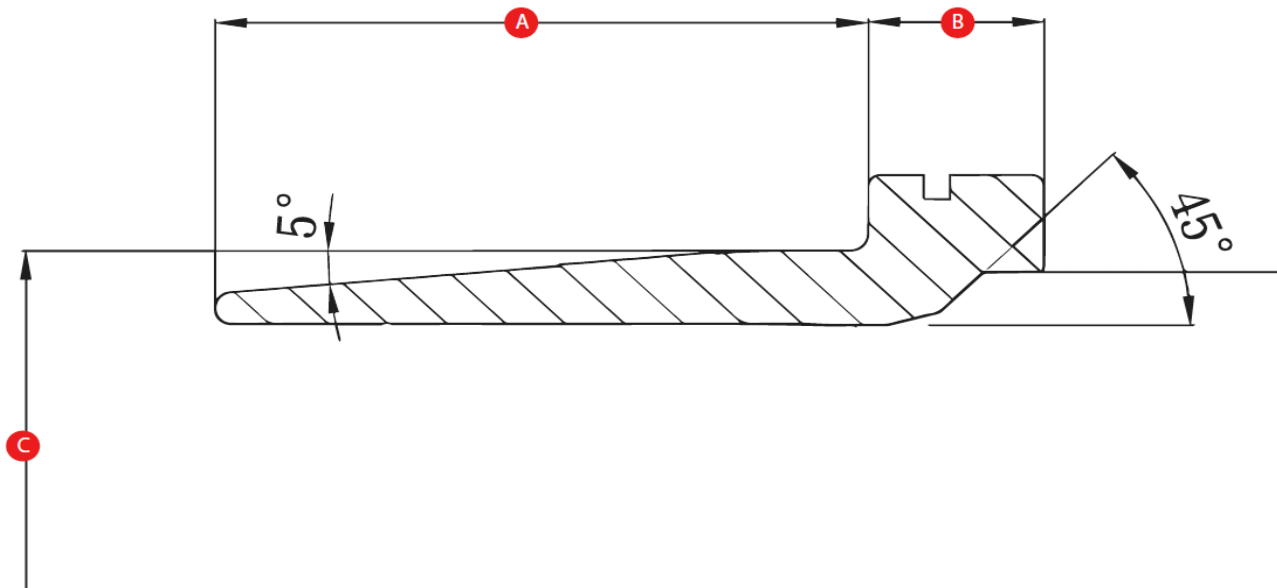
## 63" BEAD SEAT BANDS FOR STANDARD 5PC RIMS/WHEELS



### DIMENSIONS

RIM DIAMETER	PART NUMBER	A	B	C	DRIVER TYPE	WEIGHT
63	WBB056303	9.17	1.38	63	NONE	502

## 63" BEAD SEAT BANDS FOR HEAVY DUTY 5PC RIMS/WHEELS



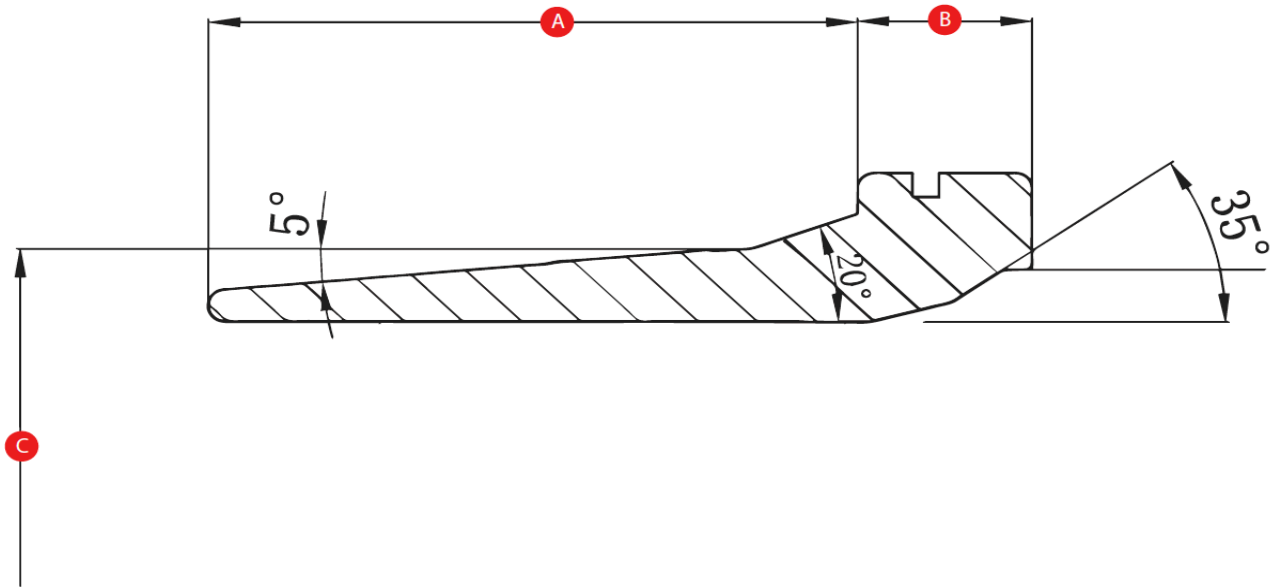
### DIMENSIONS

RIM DIAMETER	PART NUMBER	A	B	C	DRIVER TYPE	WEIGHT
63	WBB056301	9.748	2.626	63	NONE	702

MINING



**63" BEAD SEAT BANDS FOR HEAVY DUTY TAPERED 5PC RIMS/WHEELS**



MINING

DIMENSIONS						
RIM DIAMETER	PART NUMBER	A	B	C	DRIVER TYPE	WEIGHT
63	WBB056302	9.748	2.626	63	NONE	781



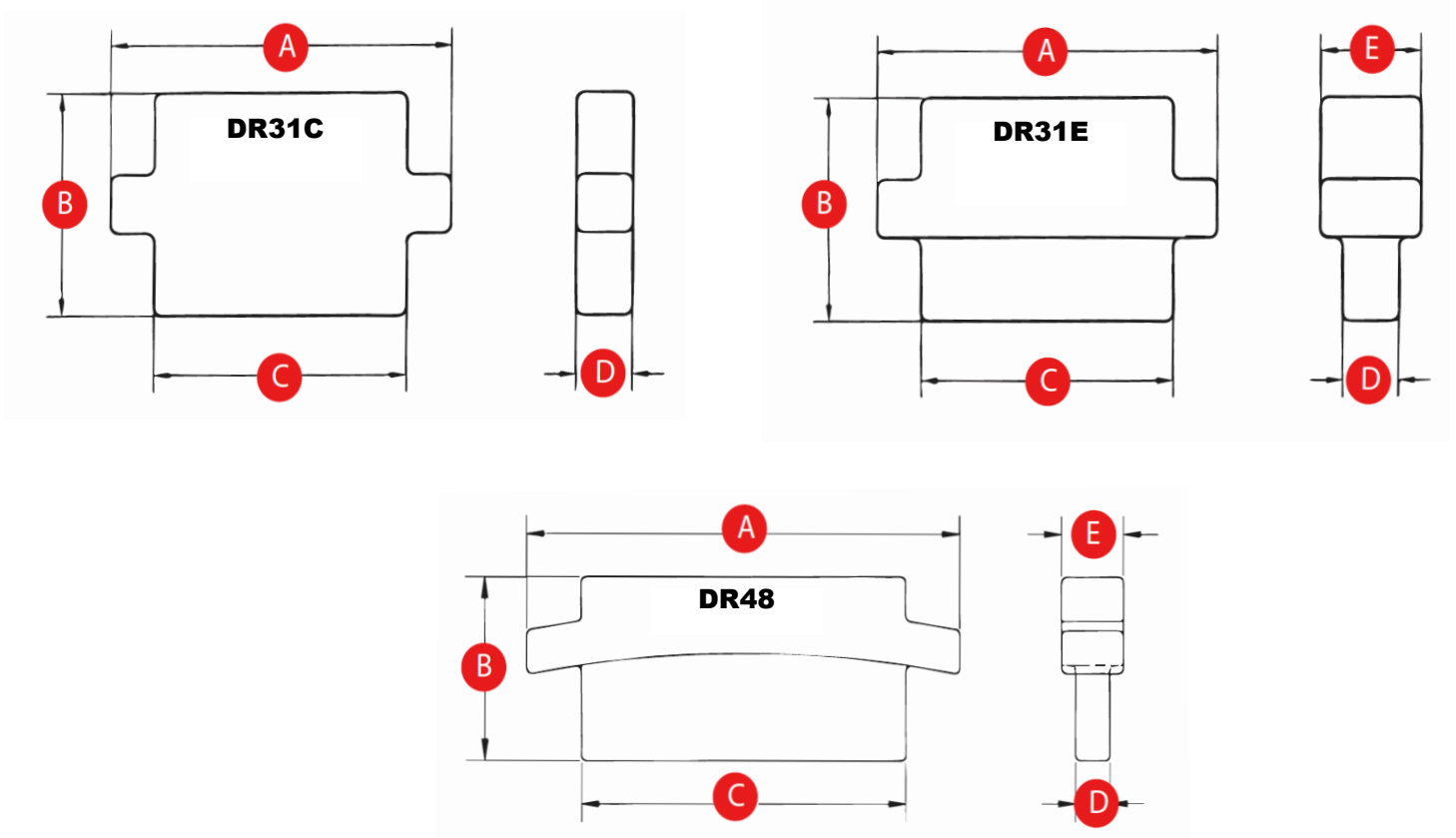


# MINING

# COMPONENTS

## DRIVER KEYS

MINING



DIMENSIONS						
PART NUMBER	A	B	C	D	E	WEIGHT
DR31C	3.88	2.38	2.88	0.64	N/A	1.2
DR31E	3.88	2.38	2.88	0.64	1.14	1.9
DR48	7.875	3.09	5.875	0.625	1.125	4

Note: Part number DR1954 is available for CAT 993 (51"), CAT 994 (57") and LeTourneau (57") applications; DR61C supports commonly used earthmoving wheels from 25-29" in diameter.

Note: Additional information can be provided regarding driver pockets and keys, as well as rim locators. Ask your salesperson for a copy of our guide.

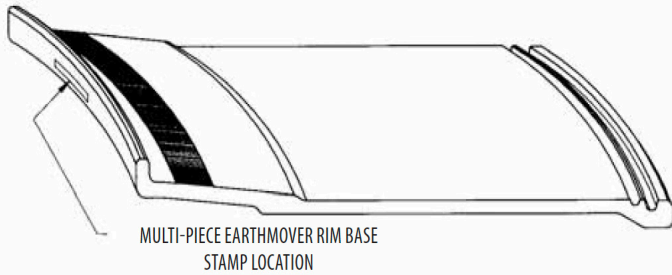


# PART NUMBER LOCATIONS

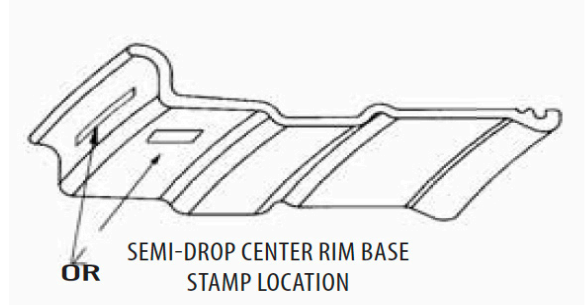
# MINING

MINING

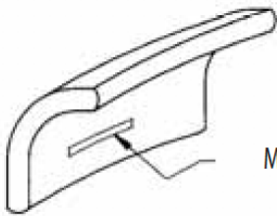
**THE LOCATION OF THE STAMPED PART NUMBER IS AS FOLLOWS:**



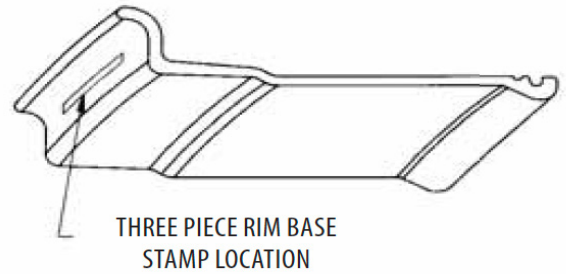
MULTI-PIECE EARTHMOVER RIM BASE  
STAMP LOCATION



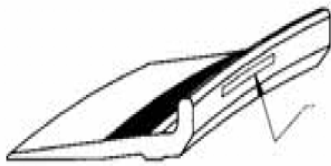
OR SEMI-DROP CENTER RIM BASE  
STAMP LOCATION



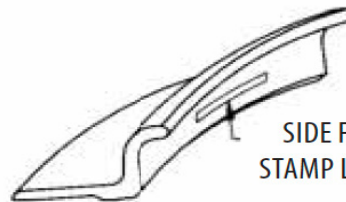
MULTI-PIECE EARTHMOVER FLANGE  
STAMP LOCATION



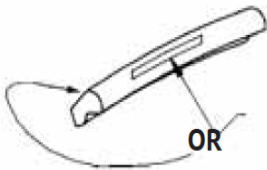
THREE PIECE RIM BASE  
STAMP LOCATION



MULTI-PIECE EARTHMOVER BEADSEAT BAND  
STAMP LOCATION



SIDE FLANGE  
STAMP LOCATION



MULTI-PIECE EARTHMOVER LOCK RING  
STAMP LOCATION



OR LOCK RING  
STAMP LOCATION



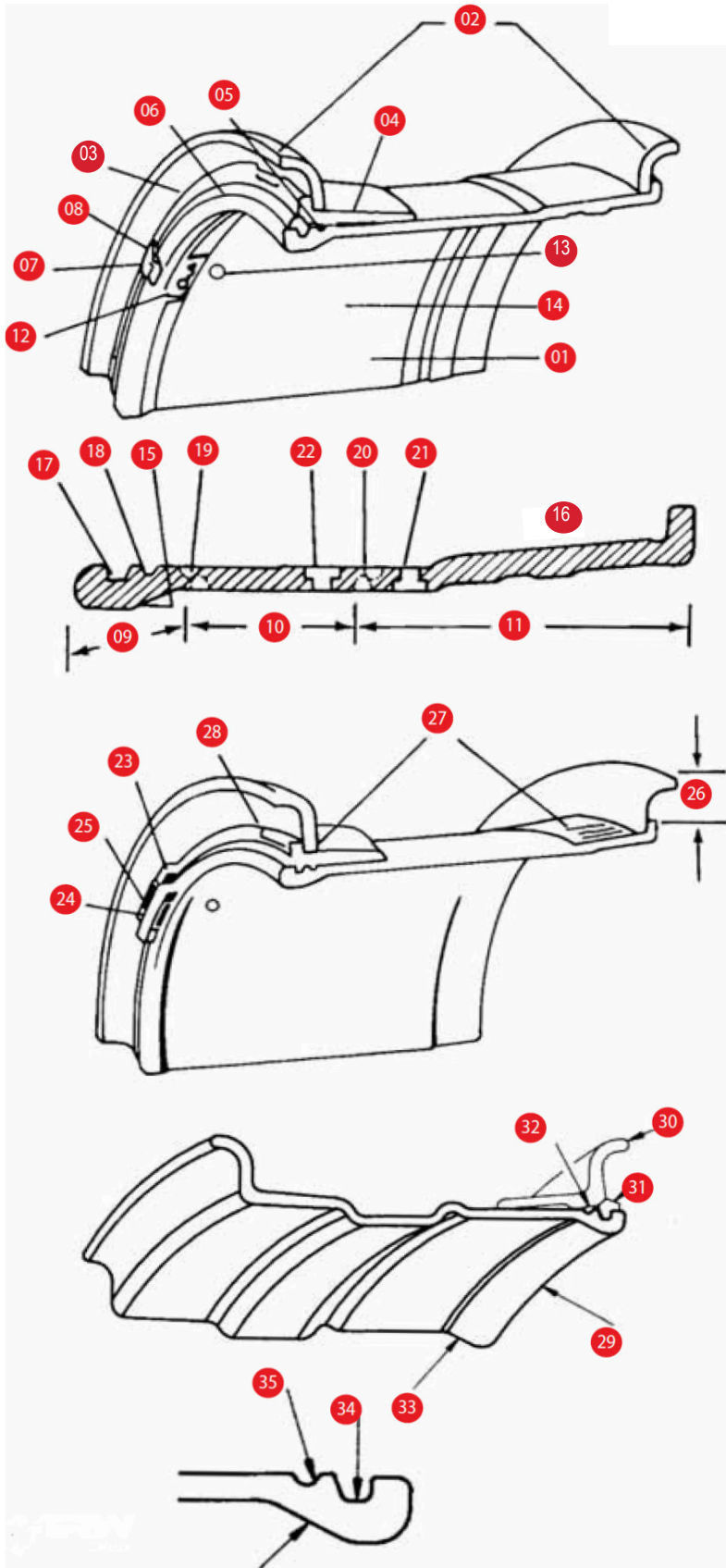
**MAKE SURE PARTS ARE CORRECT SIZE AND TYPE BEFORE ASSEMBLING BY CHECKING THE PART NUMBER ON ALL OF THE RIM COMPONENTS.**



# MINING

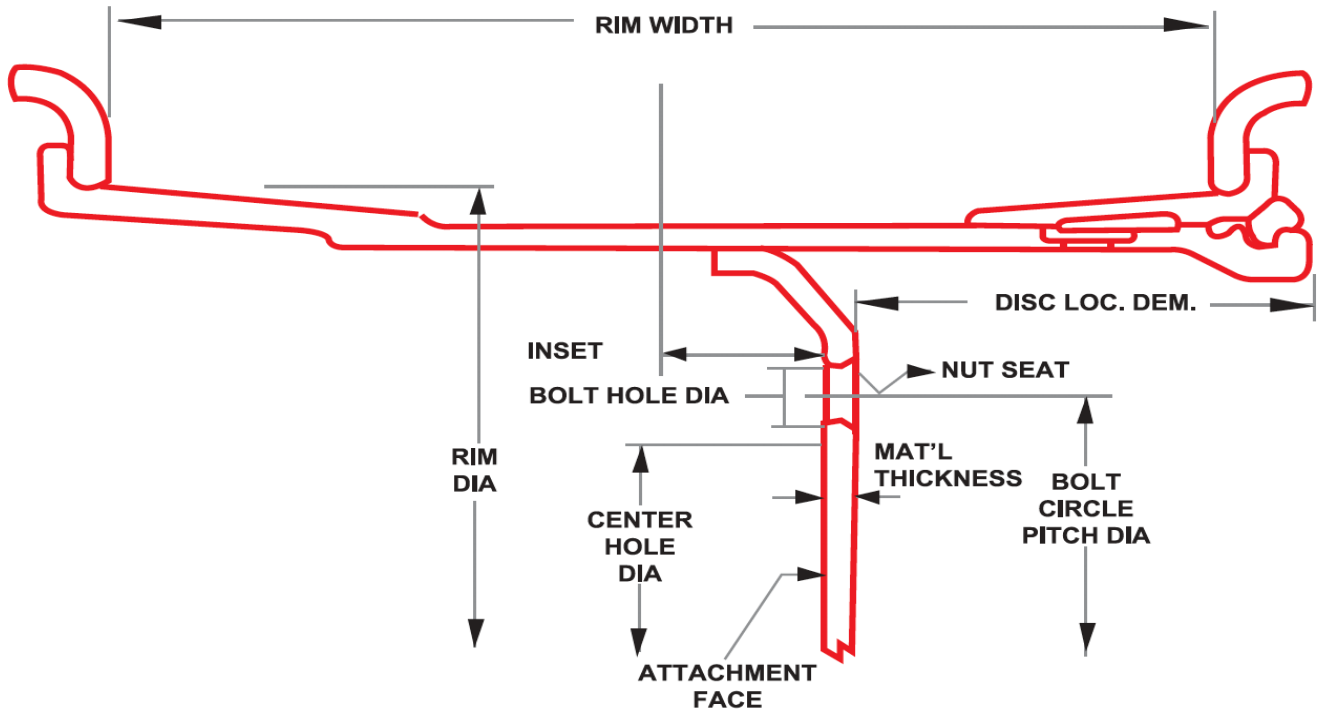
## RIM TERMINOLOGY

MINING

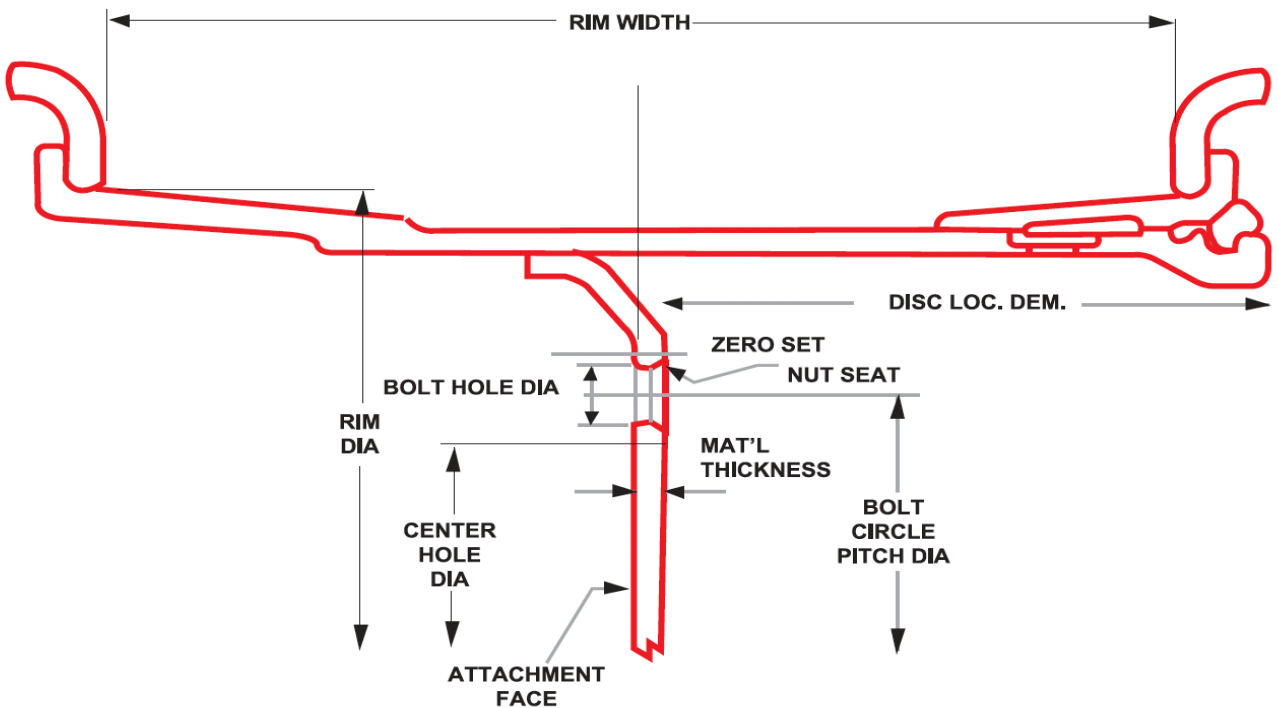


1. RIM BASE
2. FLANGES (SIDE RINGS)
3. BEAD SEAT BAND
4. BEAD SEAT 5° TAPER
5. O-RING GASKET
6. LOCK RING
7. LOCK RING DRIVER
8. GUTTER NOTCH FOR LOCK RING DRIVER
9. GUTTER SECTION
10. CENTER BAND SECTION
11. BACK SECTION
12. LOCATION (DEMOUNTABLE RIM ONLY)
13. TUBELESS VALVE HOLE
14. TUBE TYPE SLOT (NOT SHOWN)
15. 28" RIM MOUNTING SURFACE
16. 5° TIRE MOUNTING SURFACE
17. LOCK RING GROOVE
18. O-RING GROOVE
19. GUTTER SECTION WELD
20. BACK SECTION WELD
21. INVERTED VALVE HOLE
22. STANDARD VALVE HOLE
23. OUTBOARD DRIVER POCKET (BEAD SEAT BAND)
24. OUTBOARD DRIVER POCKET (RIM BASE)
25. LOCK RING DRIVER KEY
26. FLANGE HEIGHT
27. SERRATIONS OR KNURLING
28. PRY BAR SLOT
29. RIM BASE
30. SIDE FLANGE
31. LOCK RING
32. O-RING SEAL
33. 28° MOUNTING SURFACE
34. LOCK RING GROOVE
35. O-RING GROOVE

## INSET WHEEL



## ZEROSET WHEEL

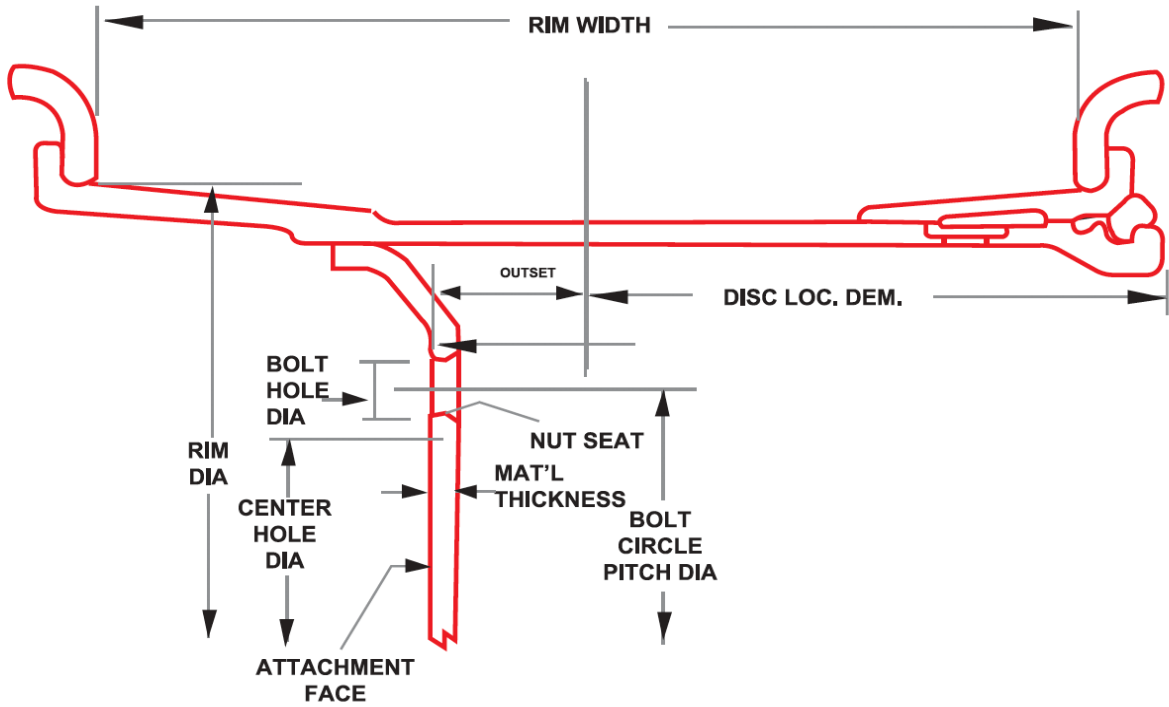




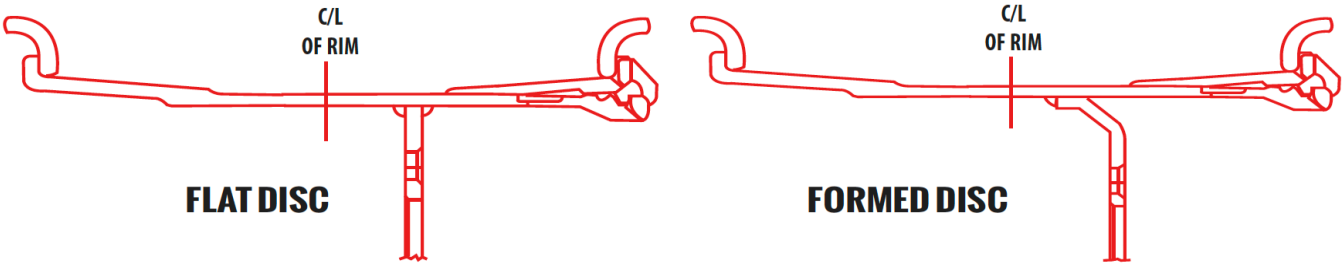
# MINING

## EXAMPLES OF WHEEL OFFSETS

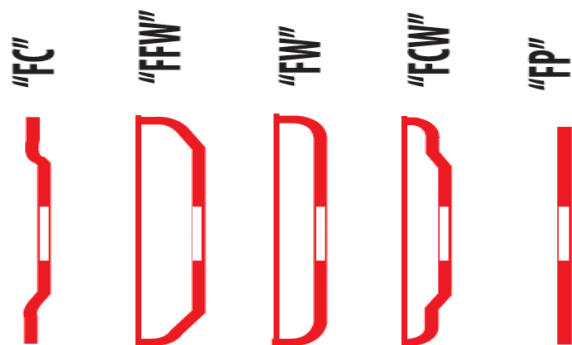
### OUTSET WHEEL



### WHEEL DISC STYLES



### WHEEL DISC TYPES



NOTE: FORMED DISC COME IN DIFFERENT PROFILES AND THICKNESS.

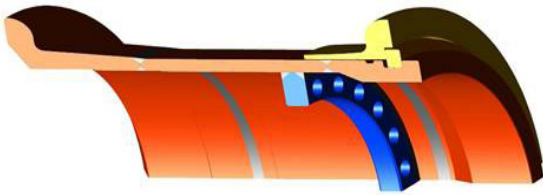
PRODUCT SPECIFICATIONS AND AVAILABILITY SUBJECT TO CHANGE WITHOUT NOTICE

MINING



# UNDERGROUND MINING

# MINING



## UNDERGROUND MINING WHEELS

OTR's mining wheel line-up for underground haulers and loaders are available in 3- and 4-piece configurations (shown above). Manufactured by OTR, these steel wheels feature 100% seamless, hot-forged components with HSLA grade steel for critical components. A Nut Guard option is available for select units for gutter and driver pocket protection, as well as driver locking systems for high-torque applications. Wheels are supplied to OEMs and the aftermarket, with precise fitments for popular vehicles and machine used underground.



20x10 3-piece UGM HD wheel assembly manufactured in-house; 100% seamless, hot-forged components.



20x15 3-piece UGM HD wheel assembly manufactured in-house; 100% seamless, hot-forged components.



24x8.5 3-piece UGM HD wheel assembly with integrated NUT GUARD feature for gutter and driver pocket protection.

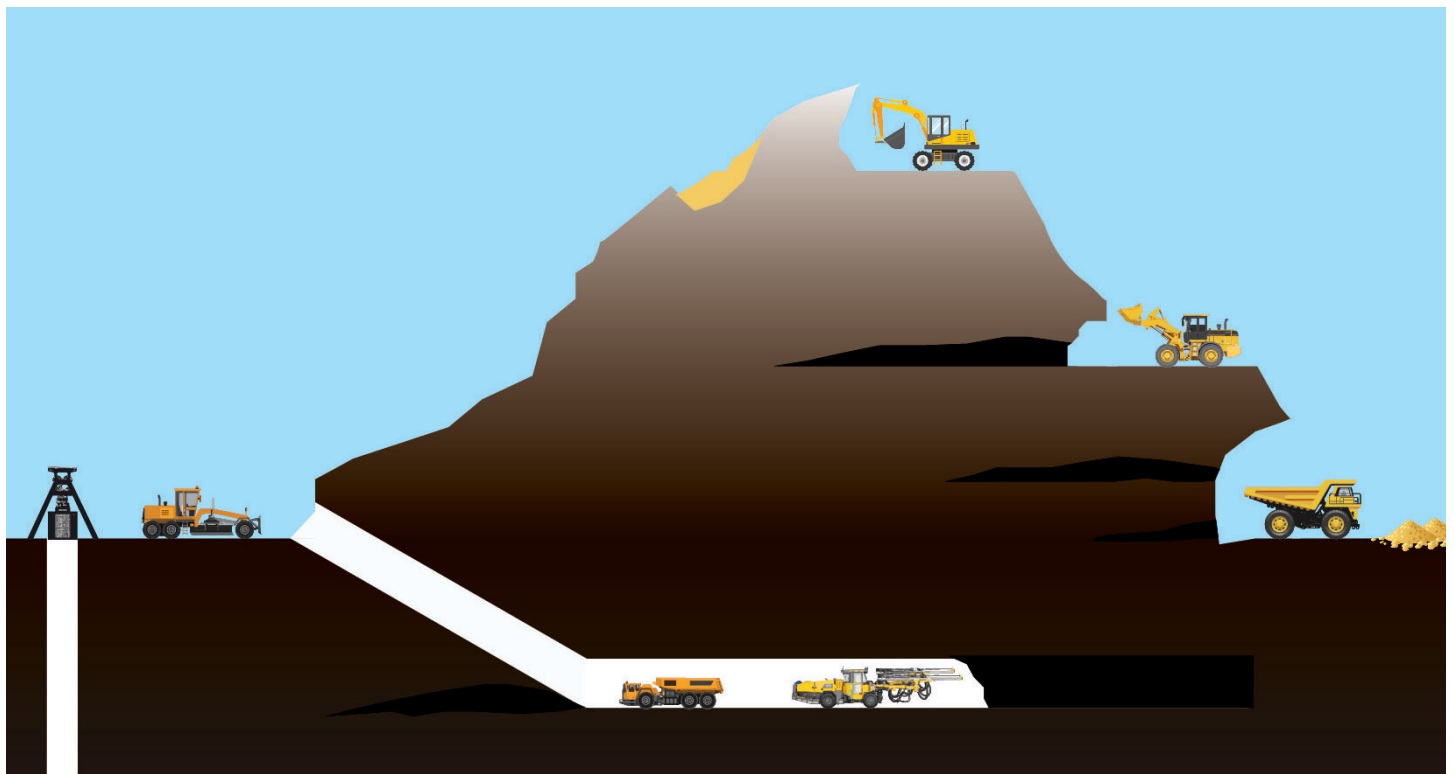


25x14 3-piece UGM HD wheel assembly manufactured in-house; 100% seamless, hot-forged components.



25x14 3 piece UGM HD wheel assembly with driver locking system for high-torque applications.

Note: Other sizes available.





# MINING

# TIRE SHIELDS

MINING



**OTR TIRE SHIELDS** protect valuable assets from sidewall damage caused by punctures and cuts, thus ensuring continued vehicle mobility especially on extreme terrain. This in turn reduces downtime while enhancing safety for the operator and workers at the jobsite. Constructed with a durable composite material, shields are also lightweight so there is minimal impact on overall vehicle weight and no disruption in tire balance. Easy to install, shields mount directly to hub flanges via custom lock and adapter rings, with lug nut protection. There are eight part numbers, with additional sizes coming soon.

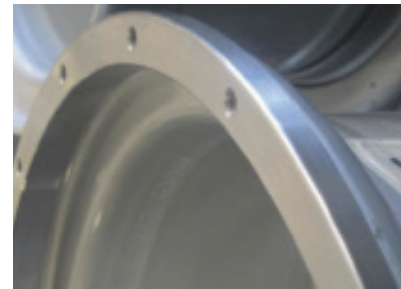
PART #	TIRE	WHEEL
TS20578160965	12.00-20	20X8
TS25702261135	14.00-25	25X11.25
TS60471-01	16.00-25	25X11.25
TS60471-01	23.5R25	25X19.5
TS25730261379	18.00-25	25X13
TS60457-01	305/85R22.5	20X10
TS604384-01	26.5R25	25X22
TS60514-01	29.5R25	25X25



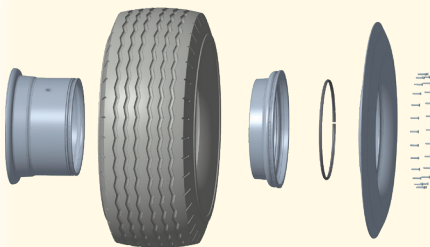
Lug nut protector provides added protection.



Mounts directly to the attached mounting ring



OTR Wheel Engineering can integrate the mounting ring or pattern to your wheels



### REDUCE LIFE CYCLE COST

OTR tire shields reduce tire cycle costs by keeping expensive tires out of harm's way. This also reduces labor cost to replace tires. Less downtime means more productivity and machine utilization—critical success factors for fleet operations at jobsites with deadlines to meet. The assembly is easy to install and validated by OEMs in the field.



# WHEEL INSPECTION

## MINING



### WHEEL INSPECTION & RECERTIFICATION

OTR's after-sale support includes a proven wheel inspection and recertification process for vehicles used at mine sites. This capability is enhanced by OTR's experience in developing and supplying heavy-duty wheels to OEMs, resulting in a core competency that can be leveraged for dealers and end users alike. If wheels are determined to be defective, OTR will work with the OEM, dealer or end user to specify and supply OEM-approved replacements. The process employed ensures safe demounting, with documentation for future reference. Contact your OTR salesperson to discuss how to start this process.

- Verification of wheel condition; isolates defective wheels or wheels nearing end-of-life before there is a potential danger.
- Documentation of wheel duty cycle, application, visible wear and hidden issues, using a proprietary ultrasound scoping technique to identify potential failures.
- Full report documenting findings, for traceability purposes.
- Training for customer's sales staff and end users, including how to use go/no-go gauges.

OTR can also provide custom-designed go/no-go gauges to verify wheel compliance (pictured below).





## MINING

### CONTACT INFORMATION

- For OEM inquiries contact your local OTR salesperson or send an email to [sales@otrwheel.com](mailto:sales@otrwheel.com).
- For all inquiries in Canada, call 1-888-77WHEEL (779-4335) or (705) 942-8400.
- For aftermarket inquiries, contact your local OTR salesperson or call 800-833-6309 if you are located east of the Mississippi River or 888-455-4910 if you are located west of the Mississippi. You may also email us at [sales@otrwheel.com](mailto:sales@otrwheel.com).
- For information on Trans American Rubber tubes, flaps or accessories, contact us at 800-922-8823.

### WARRANTY INFORMATION

- OTR provides limited warranty coverage for tires, wheels, tracks and other items in the event of defects in workmanship. You may request a copy of our policy by emailing us [sales@otrwheel.com](mailto:sales@otrwheel.com).
- Note that OTR has designated select dealers and distributors to assist with warranty repairs. Contact OTR for more information.

### CATALOG DISCLAIMER

Product specifications and information were correct as of the date of this catalog release but are subject to change without notice or obligation. Every effort has been made to ensure the accuracy of this catalog. Consult with your salesperson if you wish to verify data is correct.

### ISO 9001: 2015 CERTIFICATION

OTR facilities are ISO 9001: 2015 registered (except for new locations where certifications are in process). ISO ensures consistent product quality, standardization, documentation and compliance with OEM requirements.

### REACH COMPLIANCE

OTR's custom tires for OEMs can be designed with REACH compliance. Consult with your salesperson as needed.



**NOTES**

**MINING**


**MINING**



[OTRWHEEL.COM](http://OTRWHEEL.COM)

